



5" Linear Downlight shown with Louver

Linear Downlight Features

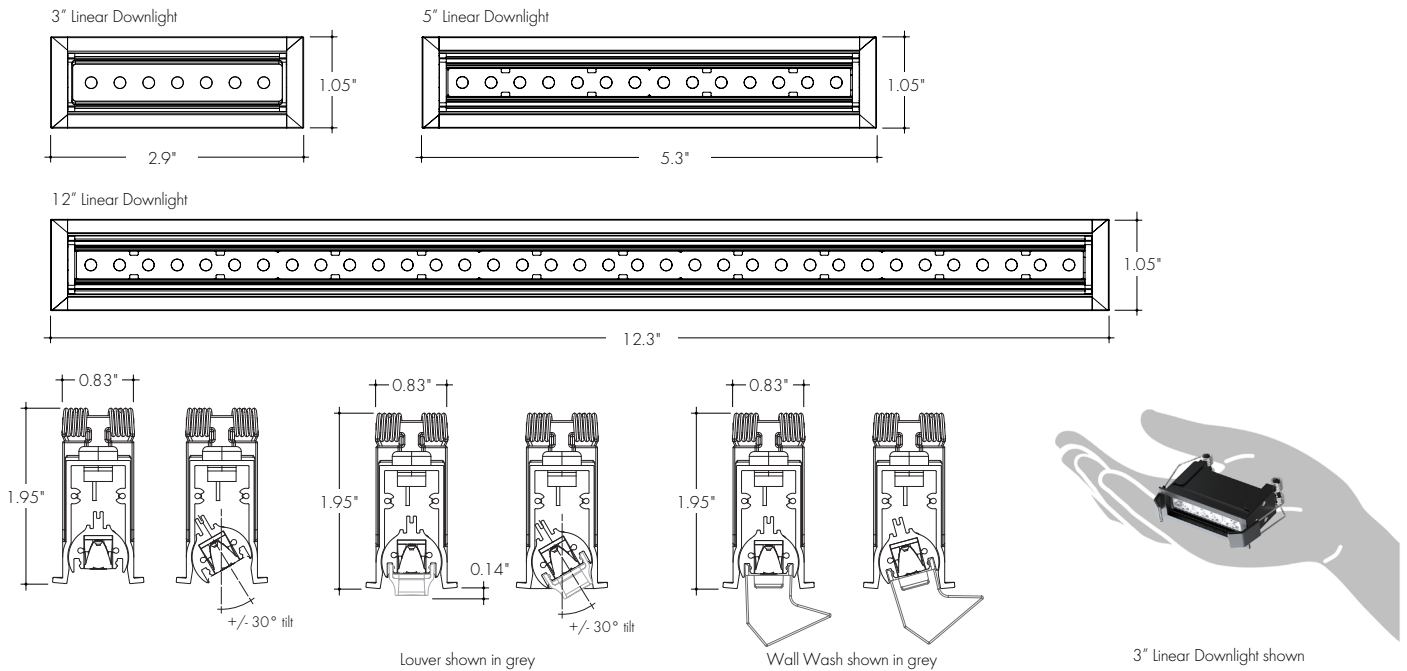
- Flawless beam quality from a unique micro-linear form factor
- Narrow 15° TIR native beam is aimable +/- 30°
- Louvers available for 15°, 30°, and 60° beams
- Snap-on optics available to easily adjust beam angle in the field
- Available in three sizes and outputs, four CCTs
- For 1/2" to 2" ceiling thickness
- 24VDC Class 2
- L90 > 50K hours
- Wall Wash optic provides even illumination starting from the top of the wall to the bottom
- Wall Wash recommended spacing is 2ft from the wall and 2ft on-center
- Fixture is IC rated and does not require a housing or pan



Finish Options



Profile Dimensions



Technical Information

TYPE	Stenos					CCT	Multiplier (ref. - 3000K)	CRI	TM-30			
	3	5	5-WW	12	12-WW				R _f	R _g	R ₉	
OUTPUT OPTIONS (15° Optic)												
Lumen Output (3000K)	275 lm	546 lm	275 lm	1324 lm	583 lm							
Power Consumption	2.6 W	5.4 W		13.0 W								
Efficacy (lm/W)	106 lm/W	101 lm/W	51 lm/W	102 lm/W	45 lm/w							
Center Beam Intensity (candela)	1612 cd	3309 cd	N/A	8542 cd	N/A							
						2700K	0.96	93	93	98	56	
						3000K	1.00	94	91	97	60	
						3500K	1.07	94	92	99	63	
						4000K	1.11	92	91	99	59	

Ordering Code | Linear Downlight

MODEL	LENGTH	CCT	OUTPUT	OPTIC	FINISH
SD-Stenos Linear Downlight	3-2.9" 5-5.3" 12-12.3"	27K-2700K 30K-3000K 35K-3500K 40K-4000K	SO-Standard	15-15° Optic LV15-15° Louver ^{1,2} LV30-30° Optic and Louver ² LV60-60° Optic and Louver ² WW-Wall Wash Optic ³ LU-15° Bullseye Louver ⁴ EL-15° x 45° Elliptical Lens ⁵	BK-Black WH-White

Ordering Code | Linear Downlight Accessories

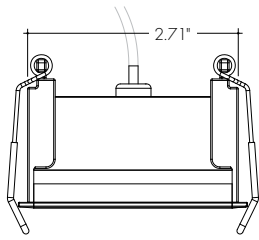
MODEL	ACCESSORY	SIZE	FINISH
SAC-Stenos Accessory	LV15-15° Louver LV30-30° Optic and Louver LV60-60° Optic and Louver WW-Wall Wash Optic ^{1,2} LU-15° Bullseye Louver ² EL-15° x 45° Elliptical Lens ²	3-2.9" Linear Downlight 5-5.3" Linear Downlight 12-12.3" Linear Downlight	BK-Black WH-White

1 - LV15° Louvers reduce glare while maintaining 90% of CBCP when compared to standard 15° optic.
 2 - Use a 0.6 multiplier for lumen output
 3 - Wall Wash Optic Not Available with SMD-3. Wall Wash Optic Only available in BK Black.
 4 - LU Bullseye Louver reduces glare while maintaining 75% of CBCP. Use a 0.35 multiplier for lumen output. Only available in BK Black.
 5 - Use a 0.85 multiplier for lumen output with EL Elliptical Lens. Only available in BK Black.

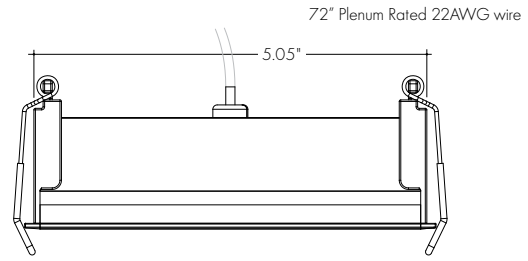
1 - WW Wall Wash Optic Not Available with SD-3.
 2 - WW Wall Wash Optic, LU Bullseye Louver, and EL Elliptical Lens only available in BK Black.

Linear Downlight Dimensions

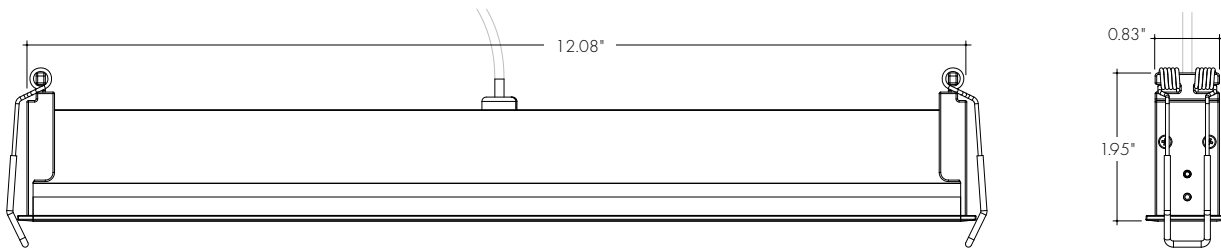
SD-3



SD-5



SD-12



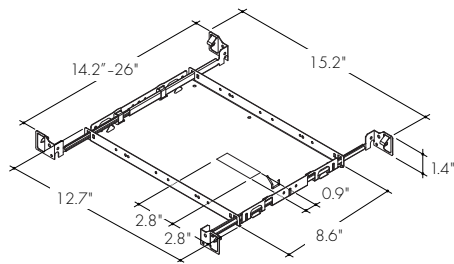
Installation Methods

Plaster Frame Bar Hanger Plate

- Galvanized steel construction with cut-out
- Hanger Bars included with PF, extendable from 14.2" to 26.0"
- RMP-12-T-R trays can only be installed parallel to the ceiling joists

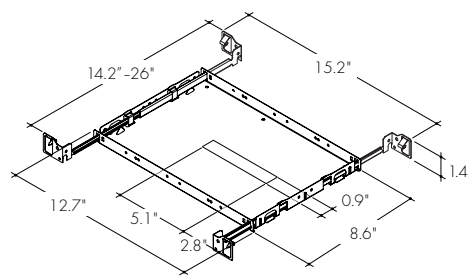
RMP-3-T-R

New Construction Pan/Plaster Frame, 3"



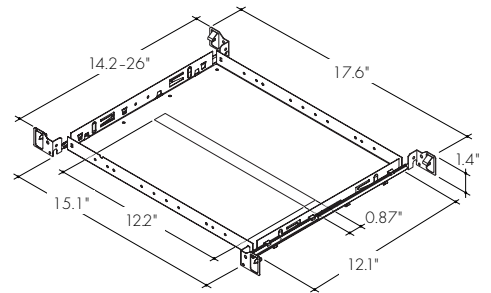
RMP-5-T-R

New Construction Pan/Plaster Frame, 5"



RMP-12-T-R

New Construction Pan/Plaster Frame, 12"

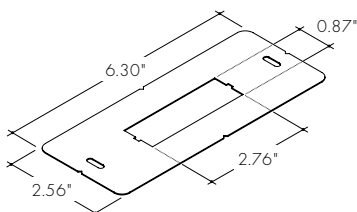


Remodel Install Plates

- Precision cutout to aid remodel installation

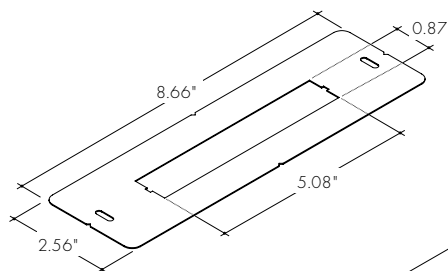
IP-SD-3

Remodel Cut-Out Template, 3"



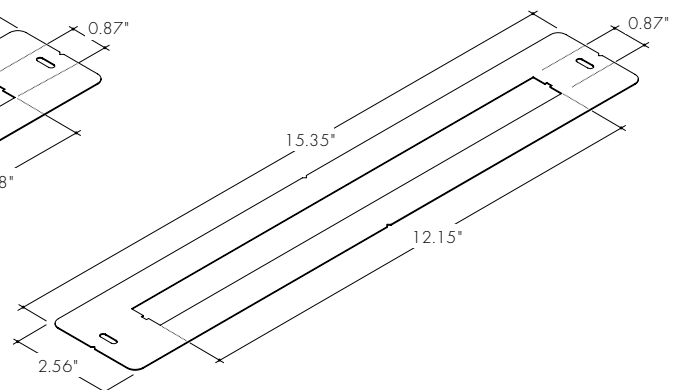
IP-SD-5

Remodel Cut-Out Template, 5"



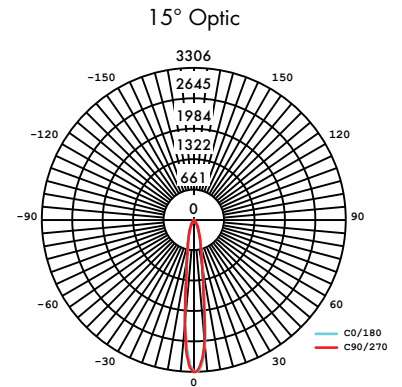
IP-SD-12

Remodel Cut-Out Template, 12"



Photometry

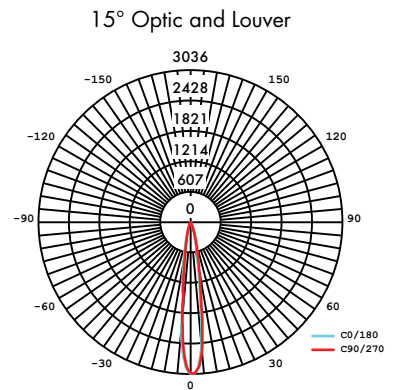
SD-5-30K-SO-15-BK/WH



SD-5-30K-SO-LV15-BK/WH



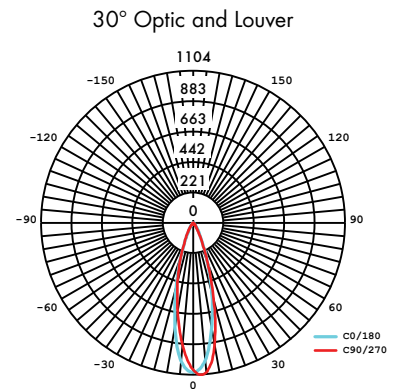
SAC-LV15-5-BK/WH



SD-5-30K-SO-LV30-BK/WH



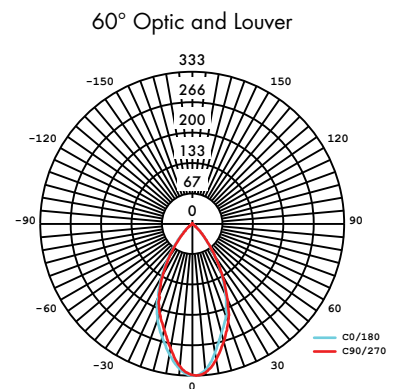
SAC-LV30-5-BK/WH



SD-5-30K-SO-LV60-BK/WH

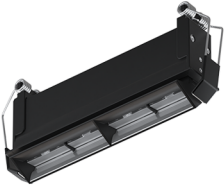


SAC-LV60-5-BK/WH

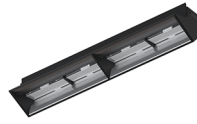


Photometry

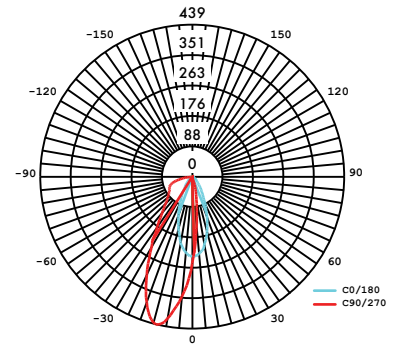
SD-5-30K-SO-WW-BK



SAC-WW-5-BK



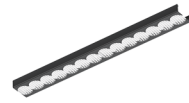
5" Wall Wash



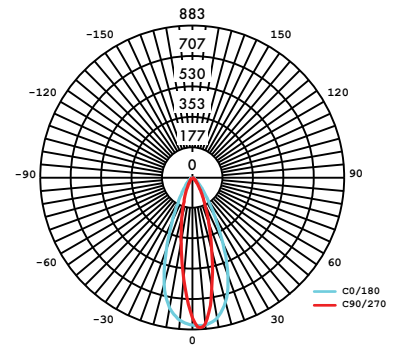
SD-5-30K-SO-EL-BK



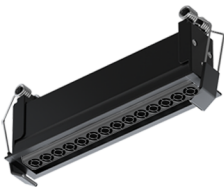
SAC-EL-5-BK



5" Elliptical Lens



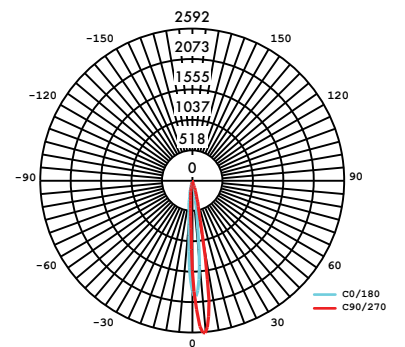
SD-5-30K-SO-LU-BK



SAC-LU-5-BK

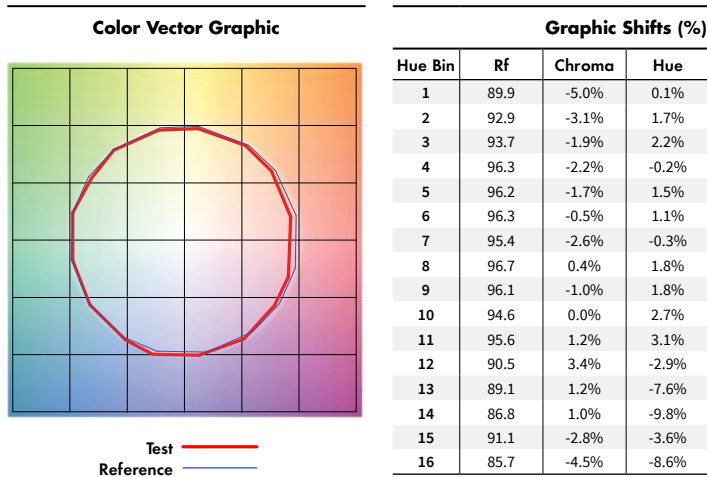


5" Bullseye Louver

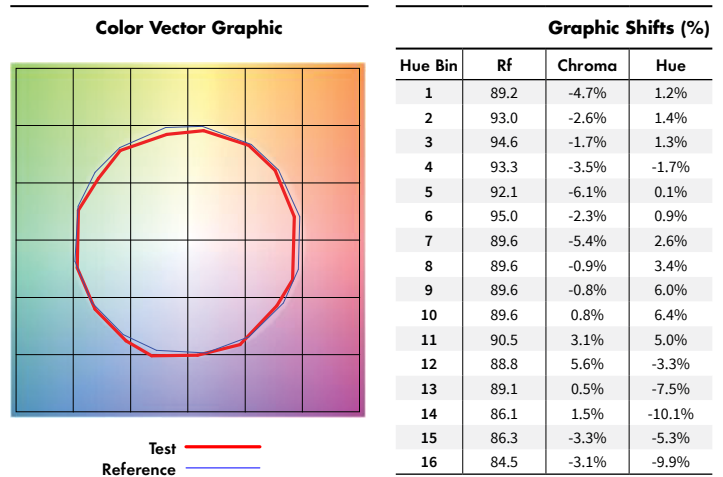


TM-30-15-Data

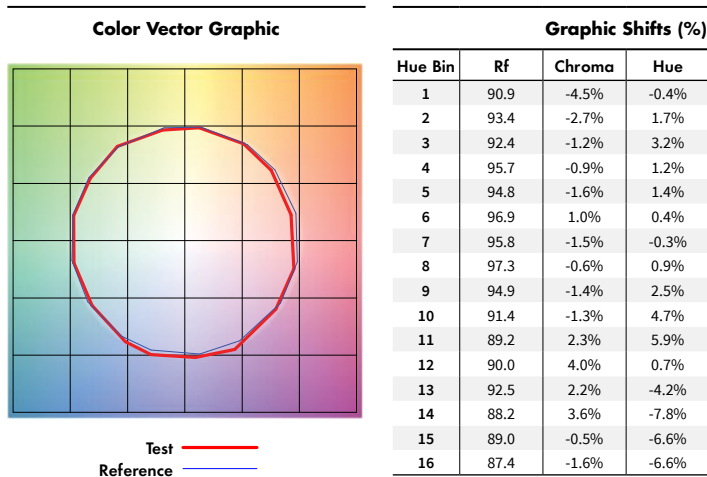
27K CCT



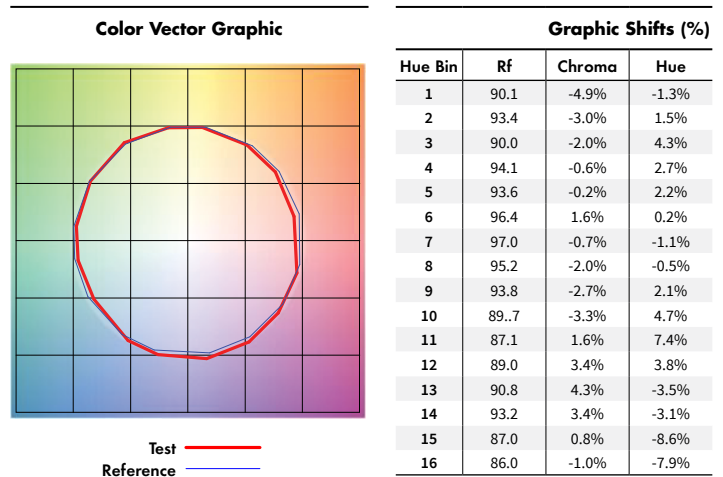
30K CCT



35K CCT



40K CCT



Power Supplies

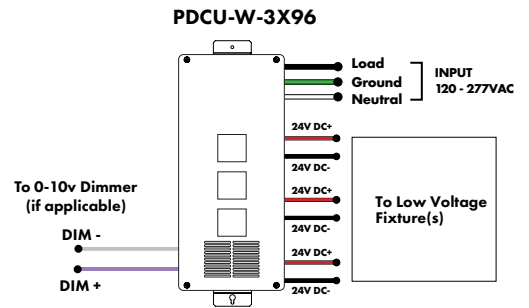
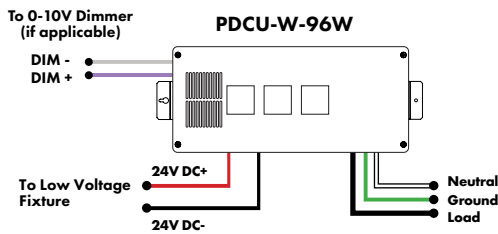
See Power Supply instructions and spec sheet for wiring information. For a complete list of compatible dimmers, see Compatible Dimming Chart on the Resources page.

Universal Power Supply 1% 120VAC - 277VAC

MODEL	POWER	OUTPUT
PDCU-W-IP66 Wet Series	30-30 W 60-60 W 96-96 W 3X96-3X96 W	24-24 VDC

MODELS	PDCU-W 96W	PDCU-W 3X96W	PDCU-W 30W	PDCU-W 60W
Length	8.66"	11.85"	6.50"	7.40"
Width	3.73"	4.32"	3.73"	3.73"
Depth	1.61"	1.81"	1.61"	1.61"

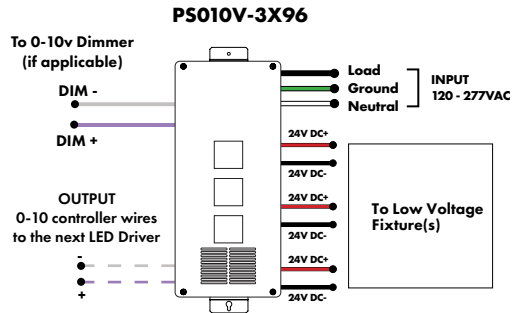
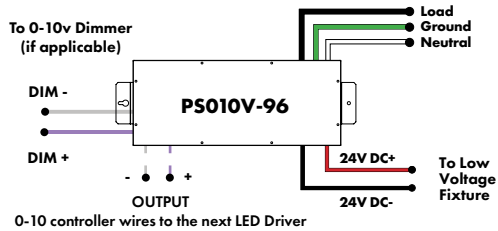
0-10V dims down to 1%, MLV/ELV/TRIAC dims down to 1%.
For a complete list of compatible dimmers, see [Compatible Dimming Chart](#) on the Resources page.



0-10V Dimming Power Supplies 0.1% 120VAC - 277VAC

MODEL	POWER	OUTPUT	DIMMING
PSO10V-0-10V Power Supply dims down to 0.1%	96-96 Watt 3X96-3 X 96 Watt	24-24 VDC	LIN-Linear LOG-Logarithmic

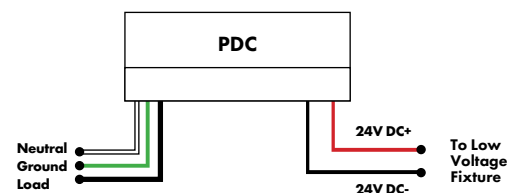
MODELS	96W	3X96
Length	14.40"	15.75"
Width	5.20"	6.62"
Depth	2.60"	4.95"



Triac, MLV, ELV, & PWM Compatible Dimmers

MODEL	POWER	OUTPUT
PDC - (IP20) Power Supply	96 - 96 Watts	24 - 24 VDC

MODELS	96W
Length	8.25"
Width	4.10"
Depth	1.56"



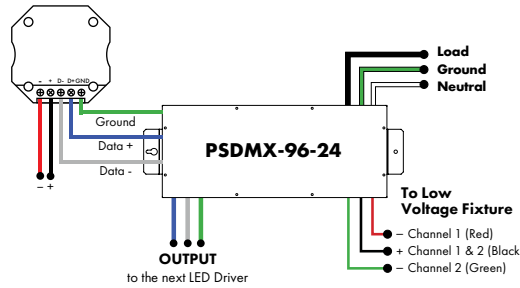
Power Supplies

See Power Supply instructions and spec sheet for wiring information. For a complete list of compatible dimmers, see Compatible Dimming Chart on the Resources page.

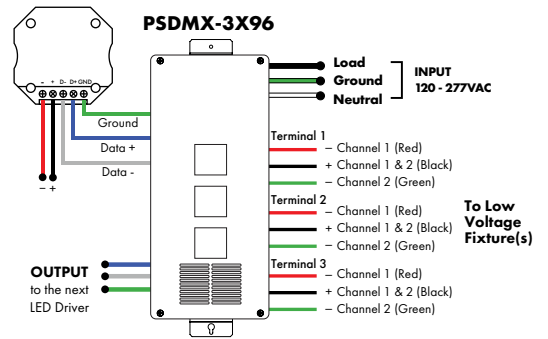
DMX Dimming Power Supplies 120VAC - 277VAC

MODEL	POWER	OUTPUT
PSDMX-DMX Power Supply dims down to 0%	96-96 Watt 3X96-3 X 96 Watt	24-24 VDC

Features eldoLED's LINEARdrive configurable dimmable drivers



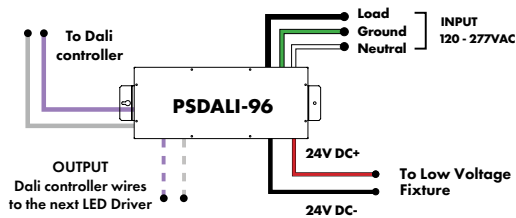
MODELS	96W	3X96
Length	14.40"	15.75"
Width	5.20"	6.62"
Depth	2.60"	4.95"



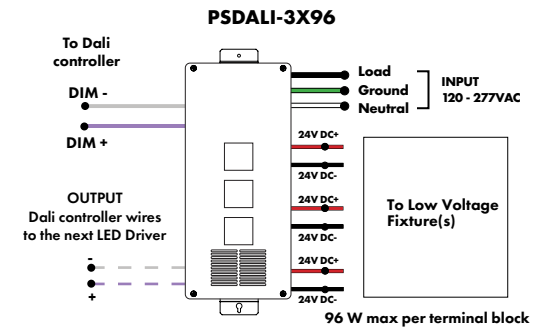
DALI 0% Dimming Power Supplies 120VAC - 277VAC

MODEL	POWER	OUTPUT
PSDALI-DALI Power Supply dims down to 0%	96-96 Watt 3X96-3 X 96 Watt	24-24 VDC

Features eldoLED's LINEARdrive configurable dimmable drivers



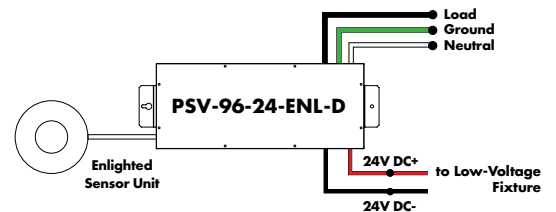
Model	96W	3X96
Length	14.40"	15.75"
Width	5.20"	6.62"
Depth	2.60"	4.95"



Enlighted Enabled Dimming Power Supplies 120VAC - 277VAC

MODEL	POWER	OUTPUT	DIMMING	LOCATION
PSV - PSV Series	96 - 96 Watt	24 - 24 VDC	ENL - Enlighted Dimming dims down to 0%	D - Damp

Model	96W
Length	14.40"
Width	5.20"
Depth	2.60"



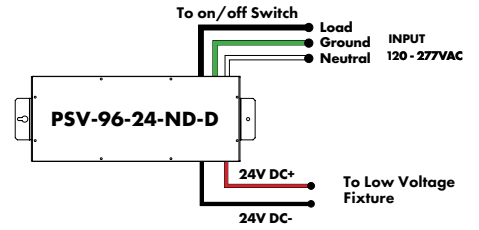
Power Supplies

See Power Supply instructions and spec sheet for wiring information. For a complete list of compatible dimmers, see Compatible Dimming Chart on the Resources page.

Non-Dimming Power Supply 120VAC - 277VAC

MODEL	POWER	OUTPUT	DIMMING	LOCATION
PSV - PSV Series	96 - 96 Watt	24 - 24 VDC	U2ND - Non Dimming	D - Damp

MODELS	96W
Length	14.40"
Width	5.20"
Depth	2.60"



LUTRON[®]

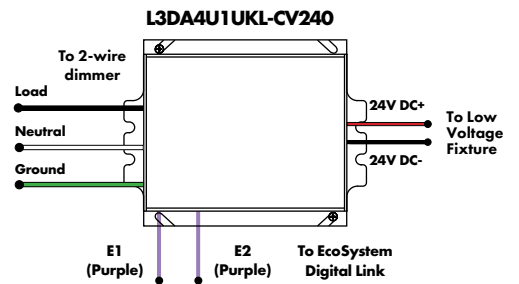
Luminii is a Lutron OEM Advantage Partner

Lutron Power Supplies 1%

MODEL
L3DA4U1UKL-CV240

HiLume™ 1% EcoSystem Voltage LED driver 40W max

MODELS	L3DA4U1UKL-CV240
Length	4.98"
Width	4.00"
Depth	2.62"



LUTRON[®]

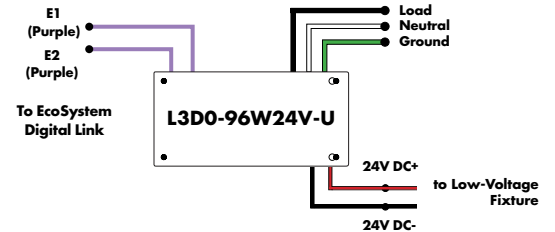
Luminii is a Lutron OEM Advantage Partner

Lutron Power Supplies 0.1%

MODEL
L3D0-96W24V-U

HiLume™ 0.1% EcoSystem Voltage LED Driver with Soft-On, Fade-to-Black™ 96W max

MODELS	L3D0
Length	10.50"
Width	5.50"
Depth	2.00"



In-Ground Power Supplies

MODEL	POWER	OUTPUT	INPUT
IG - In ground CVE Series CVE - ELV Dimming DALI - eldoLED Dali dimming Both dims down to 0%	96X2 - 2 X 96 Watt	24 - 24 VDC	Blank - 120 V 277 - 240/277 V

MODELS	Dual Circuit
Length	8.40"
Width	8.30"
Depth	8.10"

