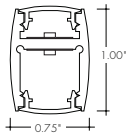


Features

- Extruded aluminum linear suspension system providing both direct and indirect light
- 24VDC Class 2 fixtures made to order up to 96"
- Suitable for suspended mount applications
- Class 2 listed for damp locations
- Dot free even illumination with frosted lens
- Direct lumens output is 42.5% of total lumens output from Technical Information.
- Proprietary strong bond solder method handles up to 50 lbs of pull force on wire leads and connectors
- High Color Quality options offer premium quality and vibrant colors with R9 values up to 97
- High Efficacy options offer best in class output and efficacy with over 780 lm/ft and up to 55 lm/W
- 5 Year warranty



Finish Options (see page 2 for additional information)

- | | | |
|-----------------|-------------|---------------|
| Silver Anodized | White | Aged Brass |
| Black | Matte Black | Polished Gold |
| Bronze | Warm Nickel | Chrome |



Technical Information

MODEL	High Color Quality			High Efficacy				High Efficacy
	72SO	72HO	72VHO	HE48LO	HE48SO	HE48MO	HE48HO	HE64VHO
OUTPUT OPTIONS								
Lumens Output (3000K) <small>(with a Frosted Lens)</small>	215 lm/ft	349 lm/ft	425 lm/ft	209 lm/ft	290 lm/ft	387 lm/ft	621 lm/ft	786 lm/ft
Average Power Consumption <small>(for a 4' section)</small>	5.6 W/ft	9.6 W/ft	12 W/ft	3.8 W/ft	5.6 W/ft	7 W/ft	13 W/ft	15 W/ft
Efficacy	38 lm/W	36 lm/W	35 lm/W	55 lm/W	52 lm/W	55 lm/W	48 lm/W	52 lm/W
Max Run Length <small>(in series)</small>	20 ft	16 ft	11 ft	24 ft	21 ft	17 ft	12 ft	8 ft
Max Ambient Temperature*	50°C [122°F]	40°C [111°F]	30°C [93°F]	50°C [122°F]			30°C [86°F]	25°C [77°F]

*Max Ambient Temperature to maintain L70 of 50k+ hours. Exceeding Max Ambient Temperature may result in decreased life/output. Consult Technical Support for specific inquiries.

High Color Quality (72)

CCT	Multiplier <small>(reference - 3000K)</small>	CRI	TM-30			
			R _f	R _g	R ₉	
1900K	0.55	96	94	97	90	
2200K	0.70	96	95	101	89	
2400K	0.72	98	97	101	91	
2700K	0.74	97	96	101	91	
3000K	1.00	97	95	104	97	
3500K	1.02	97	94	105	97	
4100K	1.07	97	90	99	97	

High Efficacy (HE48/HE64)

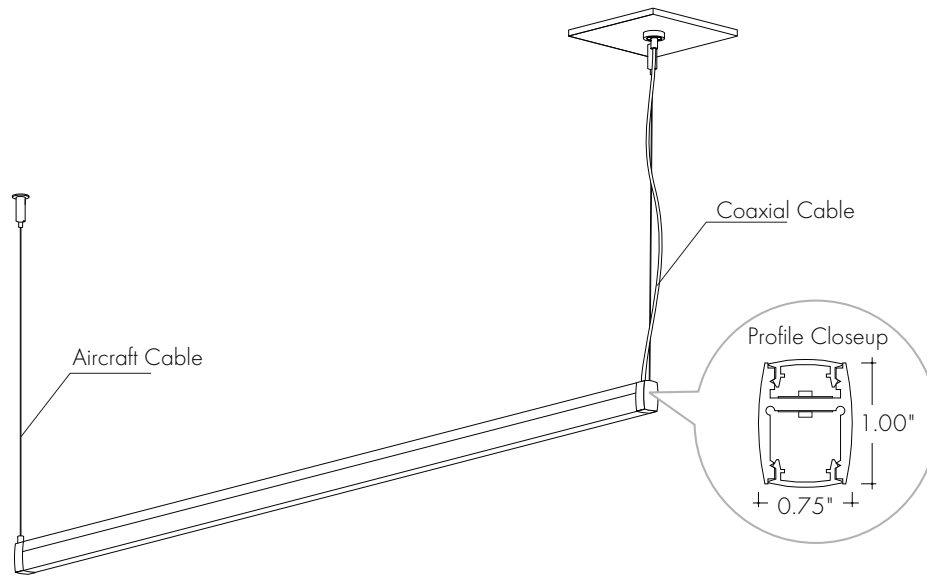
CCT	Multiplier <small>(reference - 3000K)</small>	CRI	TM-30			
			R _f	R _g	R ₉	
2200K	0.73	92	91	97	42	
2500K	0.81	93	96	96	62	
2700K	0.94	92	90	99	58	
3000K	1.00	92	89	99	57	
3500K	1.02	92	89	99	60	
4000K	1.02	92	86	94	71	

Ordering Code

MODEL	LENGTH ¹	OUTPUT	CCT	LENS ²	FINISH ^{3,4}	POWERFEED
LUC-Luceo	24" - 96" 1" increments	72SO - Standard 72HO - High 72VHO - Very High	19K - 1900K 22K - 2200K 24K - 2400K 27K - 2700K 30K - 3000K 35K - 3500K 41K - 4100K	F - Frosted	SA - Silver Anodized BK - Black BZ - Bronze WH - White MB - Matte Black WN - Warm Nickel AB - Aged Brass PG - Polished Gold ⁵ CH - Chrome ⁵	R - Remote
	24" - 96" 2" increments	HE48LO - Low HE48SO - Standard HE48MO - Medium HE48HO - High HE64VHO - Very High	22K - 2200K 25K - 2500K 27K - 2700K 30K - 3000K 35K - 3500K 40K - 4000K			

1 - Custom lengths and increments are available, please consult Inside Sales with specific request.
 2 - All High Efficacy options can be used to comply with Title 24 JAB. High Color Quality options can be used to comply with Title 24 JAB depending on Output, CCT, and lens selections. See multiplier charts to calculate specific efficacies.
 3 - Non SA finishes may have extended lead times. Custom RALs are available, please consult Inside Sales with specific request.
 4 - White canopy included with all finishes except Black and Matte Black, which include a Black canopy.
 5 - Polished Gold finishes have a maximum fixture length of 48", and Chrome finishes have a maximum fixture length of 72".

Product Dimensions



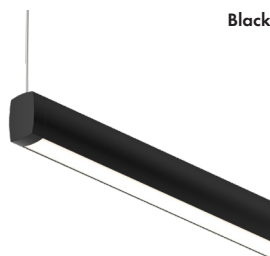
Finish Options

- Finish options are available in a wide variety, allowing for complete customization of style and aesthetic.
- Non Silver Anodized finishes may have extended lead times.
- Polished Gold finishes have a maximum fixture length of 48", and Chrome finishes have a maximum fixture length of 72".
- Custom RALs are available, please consult Inside Sales with specific request.



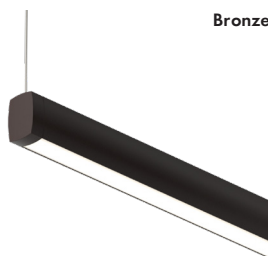
Silver Anodized

Silver Anodized is a soft silver with a clear finish.



Black

Black is a true deep black with a glossy finish.



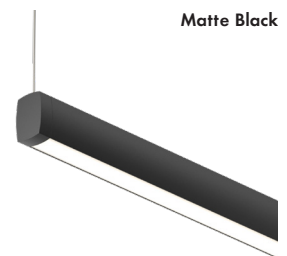
Bronze

Bronze is a rich, dark brown with a satin finish.



White

White is a polar bright white and field paintable.



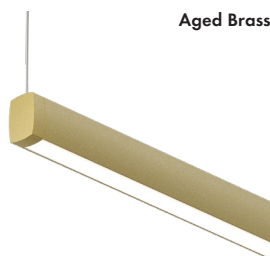
Matte Black

Matte Black is a dark, pitch-black with a soft flat finish.



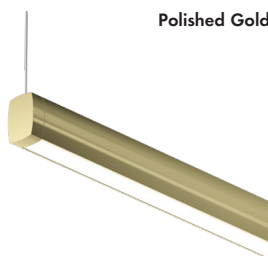
Warm Nickel

Warm Nickel is a soft, silvery smoke with warm tones and a satin finish.



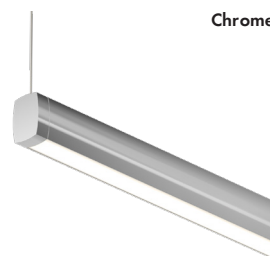
Aged Brass

Aged Brass is a deep brown shade with slightly golden undertones.



Polished Gold

Polished Gold is bright and radiant for a brilliant finish.

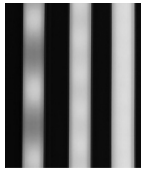


Chrome

Chrome is a highly reflective silver polish.

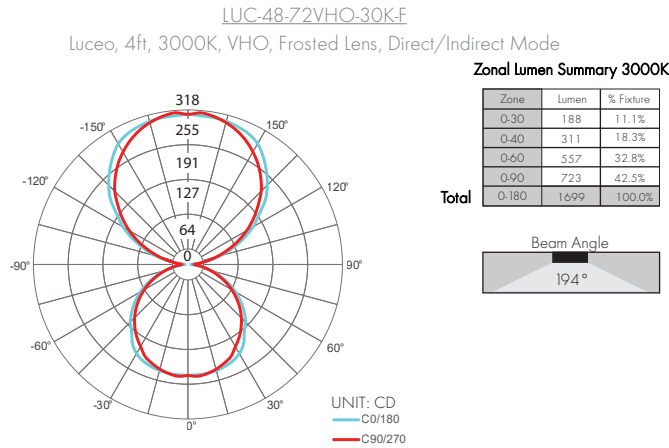
Light Transmission and Dotting

Output Options	Lens/Accessory	
	Frosted	
72SO	ND	
72HO	ND	
72VHO	ND	
HE48LO	ND	
HE48SO	ND	
HE48MO	ND	
HE48HO	ND	
HE64VHO	ND	
Transmission Percentage	100%	



CD - Clear Dotting
SD - Slight Dotting
ND - No Dotting

Photometry



Power Consumption

Tested at Full Power with PDC Series power supplies.

Standard Nominal Lengths offered provide minimal shadowing. For alternate lengths, please consult Inside Sales with specific request.

High Color Quality (72)

Nominal Length (in)	Actual Length	Watts			Nominal Length (in)	Actual Length	Watts			Nominal Length (in)	Actual Length	Watts		
		SO	HO	VHO			SO	HO	VHO			SO	HO	VHO
12	11 10/16	5.1	8.6	11.5	47	46 5/16	20.6	32.9	42.3	82	81 1/16	34.3	53.1	67.5
13	12 12/16	5.6	9.4	12.6	48	47 8/16	21.3	33.9	43.4	83	82 4/16	34.7	53.6	68.8
14	13 15/16	6.2	10.5	14.1	49	48 10/16	21.8	34.6	44.2	84	83 6/16	35.2	54.4	70.7
15	–	–	–	–	50	49 13/16	22.2	35.2	45.0	85	84 9/16	35.5	54.9	72.0
16	15 1/16	6.7	11.2	15.0	51	50 15/16	22.7	36.2	46.3	86	85 11/16	35.9	55.4	72.4
17	16 4/16	7.1	12.0	16.0	52	–	–	–	–	87	86 14/16	36.5	56.1	73.1
18	17 6/16	7.8	13.1	17.4	53	52 2/16	23.1	36.8	47.1	88	–	–	–	–
19	18 9/16	8.2	13.8	18.4	54	53 4/16	23.5	37.4	48.0	89	88	36.9	56.6	73.5
20	19 11/16	8.7	14.5	19.3	55	54 7/16	24.1	38.4	49.2	90	89 3/16	37.3	57.1	74.0
21	20 14/16	9.3	15.6	20.7	56	55 10/16	24.5	39.0	50.0	91	90 5/16	37.7	57.6	74.4
22	–	–	–	–	57	56 12/16	25.0	39.6	50.8	92	91 8/16	38.3	58.4	75.3
23	22	9.8	16.4	21.7	58	57 15/16	25.6	40.5	52.0	93	92 10/16	38.7	59.0	76.0
24	23 3/16	10.2	17.1	22.6	59	–	–	–	–	94	93 13/16	39.1	59.7	76.7
25	24 5/16	10.7	17.8	23.5	60	59 1/16	26.1	41.1	52.8	95	94 15/16	39.8	60.6	77.7
26	25 8/16	11.4	18.9	24.9	61	60 4/16	26.5	41.7	53.6	96	–	–	–	–
27	26 10/16	11.9	19.7	25.7	62	61 6/16	27.1	42.6	54.7	97	–	–	–	–
28	27 13/16	12.3	20.5	26.6	63	62 9/16	27.5	43.1	55.4	98	–	–	–	–
29	28 15/16	13.1	21.6	27.8	64	63 11/16	27.9	43.7	56.1	99	–	–	–	–
30	–	–	–	–	65	64 14/16	28.5	44.5	57.1	100	–	–	–	–
31	30 2/16	13.6	22.4	28.7	66	–	–	–	–	101	–	–	–	–
32	31 4/16	14.0	23.1	29.6	67	66	28.9	45.0	57.8	102	–	–	–	–
33	32 7/16	14.7	24.1	31.0	68	67 3/16	29.3	45.5	58.4	103	–	–	–	–
34	33 10/16	15.1	24.7	31.9	69	68 5/16	29.6	45.9	59.1	104	–	–	–	–
35	34 12/16	15.5	25.4	32.8	70	69 8/16	30.2	46.5	60.0	105	–	–	–	–
36	35 15/16	16.2	26.3	34.2	71	70 10/16	30.5	47.0	60.6	106	–	–	–	–
37	–	–	–	–	72	71 13/16	30.8	47.4	61.3	107	–	–	–	–
38	37 1/16	16.6	26.9	35.1	73	72 15/16	31.4	48.1	62.1	108	–	–	–	–
39	38 4/16	17.1	27.6	35.9	74	–	–	–	–	109	–	–	–	–
40	39 6/16	17.7	28.5	37.2	75	74 2/16	31.8	48.8	62.5	110	–	–	–	–
41	40 9/16	18.1	29.2	38.0	76	75 5/16	32.1	49.4	62.9	111	–	–	–	–
42	41 11/16	18.5	29.8	38.8	77	76 7/16	32.7	50.4	63.5	112	–	–	–	–
43	42 14/16	19.2	30.8	40.0	78	77 10/16	33.1	51.1	63.9	113	–	–	–	–
44	–	–	–	–	79	78 12/16	33.5	51.7	64.3	114	–	–	–	–
45	44	19.6	31.5	40.8	80	79 15/16	34.0	52.5	66.2	115	–	–	–	–
46	45 3/16	20.1	32.2	41.5	81	–	–	–	–	116	–	–	–	–

Power Consumption

Tested at Full Power with PDC Series power supplies.

Standard Nominal Lengths offered provide minimal shadowing. For alternate lengths, please consult Inside Sales with specific request.

High Efficacy (HE48)

Nominal Length (in)	Actual Length	Watts				Nominal Length (in)	Actual Length	Watts				Nominal Length (in)	Actual Length	Watts			
		LO	SO	MO	HO			LO	SO	MO	HO			LO	SO	MO	HO
12	11	3.4	4.9	6.4	13.2	47	46 7/16	14.3	22.6	27.5	47.9	82	81 14/16	22.6	38.4	47.6	78.5
13	13	4.1	5.9	7.5	15.8	48	-	-	-	-	-	83	-	-	-	-	-
14	-	-	-	-	-	49	48 7/16	14.7	23.3	28.5	49.4	84	83 14/16	22.8	39.3	48.8	79.4
15	14 15/16	4.8	6.9	8.7	17.9	50	-	-	-	-	-	85	-	-	-	-	-
16	-	-	-	-	-	51	50 6/16	15.3	24.1	29.6	51.3	86	85 13/16	23.1	40.1	49.9	80.3
17	16 15/16	5.4	7.7	9.6	19.5	52	-	-	-	-	-	87	-	-	-	-	-
18	-	-	-	-	-	53	52 6/16	15.8	25.0	30.7	53.2	88	87 13/16	23.3	41.0	51.0	81.2
19	18 14/16	6.0	8.7	10.8	21.5	54	-	-	-	-	-	89	-	-	-	-	-
20	-	-	-	-	-	55	54 5/16	16.4	25.9	31.9	55.2	90	89 12/16	23.5	41.9	52.1	82.0
21	20 14/16	6.4	9.7	12.0	23.1	56	-	-	-	-	-	91	-	-	-	-	-
22	-	-	-	-	-	57	56 5/16	17.0	26.8	33.1	57.0	92	91 12/16	24.0	42.9	53.4	82.7
23	22 13/16	6.9	10.7	13.3	24.7	58	-	-	-	-	-	93	-	-	-	-	-
24	-	-	-	-	-	59	58 4/16	17.5	27.7	34.3	58.7	94	93 11/16	24.6	43.8	54.7	83.3
25	24 13/16	7.4	11.7	14.5	26.3	60	-	-	-	-	-	95	-	-	-	-	-
26	-	-	-	-	-	61	60 4/16	18.1	28.6	35.5	60.5	96	95 11/16	25.2	44.8	56.0	84.0
27	26 12/16	8.0	12.9	15.7	28.5	62	-	-	-	-	-	97	-	-	-	-	-
28	-	-	-	-	-	63	62 3/16	18.4	29.5	36.6	63.8	98	-	-	-	-	-
29	28 12/16	8.7	14.0	17.0	30.6	64	-	-	-	-	-	99	-	-	-	-	-
30	-	-	-	-	-	65	64 3/16	18.8	30.4	37.7	67.0	100	-	-	-	-	-
31	30 11/16	9.4	15.2	18.2	32.6	66	-	-	-	-	-	101	-	-	-	-	-
32	-	-	-	-	-	67	66 2/16	19.1	31.2	38.9	70.2	102	-	-	-	-	-
33	32 11/16	10.0	16.1	19.2	34.7	68	-	-	-	-	-	103	-	-	-	-	-
34	-	-	-	-	-	69	68 2/16	19.5	32.3	40.0	71.2	104	-	-	-	-	-
35	34 10/16	10.7	17.0	20.3	36.7	70	-	-	-	-	-	105	-	-	-	-	-
36	-	-	-	-	-	71	70 1/16	20.0	33.3	41.1	72.3	106	-	-	-	-	-
37	36 10/16	11.3	17.9	21.4	38.7	72	-	-	-	-	-	107	-	-	-	-	-
38	-	-	-	-	-	73	72 1/16	20.4	34.4	42.3	73.4	108	-	-	-	-	-
39	38 9/16	11.9	18.9	22.7	40.5	74	-	-	-	-	-	109	-	-	-	-	-
40	-	-	-	-	-	75	74	21.0	35.2	43.4	74.6	110	-	-	-	-	-
41	40 9/16	12.5	19.9	23.9	42.2	76	76	21.5	36.0	44.5	75.7	111	-	-	-	-	-
42	-	-	-	-	-	77	-	-	-	-	-	112	-	-	-	-	-
43	42 8/16	13.1	20.8	25.1	44.1	78	77 15/16	22.1	36.8	45.7	76.9	113	-	-	-	-	-
44	-	-	-	-	-	79	-	-	-	-	-	114	-	-	-	-	-
45	44 8/16	13.7	21.7	26.3	46.0	80	79 15/16	22.3	37.5	46.5	77.6	115	-	-	-	-	-
46	-	-	-	-	-	81	-	-	-	-	-	116	-	-	-	-	-

Power Consumption

Tested at Full Power with PDC Series power supplies.

Standard Nominal Lengths offered provide minimal shadowing. For alternate lengths, please consult Inside Sales with specific request.

High Efficacy (HE64)

Nominal Length (in)	Actual Length	Watts	Nominal Length (in)	Actual Length	Watts	Nominal Length (in)	Actual Length	Watts
		VHO			VHO			VHO
12	11 12/16	14.5	47	46 10/16	58.2	82	81 7/16	91.5
13	–	–	48	–	–	83	82 15/16	92.1
14	13 5/16	16.4	49	48 2/16	60.1	84	–	–
15	14 13/16	18.2	50	49 10/16	62.0	85	84 7/16	92.7
16	–	–	51	–	–	86	86	93.3
17	16 5/16	20.1	52	51 2/16	63.8	87	–	–
18	17 13/16	22.0	53	52 11/16	65.6	88	87 8/16	94.0
19	–	–	54	–	–	89	89	94.6
20	19 6/16	23.9	55	54 3/16	67.4	90	–	–
21	20 14/16	25.7	56	55 11/16	69.6	91	90 8/16	95.2
22	–	–	57	–	–	92	–	–
23	22 6/16	27.6	58	57 3/16	71.2	93	92	95.8
24	23 14/16	29.5	59	58 11/16	72.8	94	–	–
25	–	–	60	–	–	95	–	–
26	25 6/16	31.4	61	60 4/16	74.4	96	–	–
27	26 15/16	33.3	62	61 12/16	75.6	97	–	–
28	–	–	63	–	–	98	–	–
29	28 7/16	35.2	64	63 4/16	76.8	99	–	–
30	29 15/16	37.2	65	64 12/16	78.0	100	–	–
31	–	–	66	–	–	101	–	–
32	31 7/16	39.1	67	66 5/16	79.2	102	–	–
33	33	41.0	68	67 13/16	80.3	103	–	–
34	–	–	69	–	–	104	–	–
35	34 8/16	42.9	70	69 5/16	81.3	105	–	–
36	–	–	71	70 13/16	82.4	106	–	–
37	36	44.9	72	–	–	107	–	–
38	37 8/16	46.7	73	72 5/16	83.4	108	–	–
39	–	–	74	73 14/16	85.1	109	–	–
40	39	48.6	75	–	–	110	–	–
41	40 9/16	50.4	76	75 6/16	86.8	111	–	–
42	–	–	77	76 14/16	88.5	112	–	–
43	42 1/16	52.3	78	–	–	113	–	–
44	43 9/16	54.2	79	78 6/16	90.2	114	–	–
45	–	–	80	79 15/16	90.8	115	–	–
46	45 1/16	56.2	81	–	–	116	–	–

Voltage Drop Calculator

The below chart assumes nominal voltage of 24 Volts and a Voltage Drop Allowance of 3% through the wire

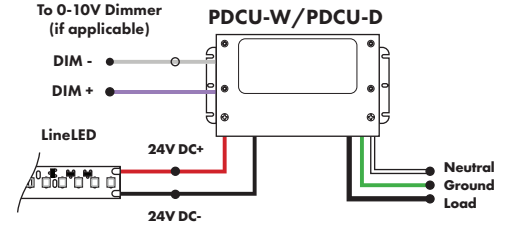
Wattage [W]	Wire Length From Power Supply to Start of Run [ft]						
	12 AWG	14 AWG	16 AWG	18 AWG	20 AWG	22 AWG	24 AWG
5	1088.2	684.4	430.3	270.6	170.2	107.1	67.3
10	544.1	342.2	215.1	135.3	85.1	53.5	33.7
15	362.7	228.1	143.4	90.2	56.7	35.7	22.4
20	272.0	171.1	107.6	67.7	42.6	26.8	16.8
25	217.6	136.9	86.1	54.1	34.0	21.4	13.5
30	181.4	114.1	71.7	45.1	28.4	17.8	11.2
35	155.5	97.8	61.5	38.7	24.3	15.3	9.6
40	136.0	85.5	53.8	33.8	21.3	13.4	8.4
45	120.9	76.0	47.8	30.1	18.9	11.9	7.5
50	108.8	68.4	43.0	27.1	17.0	10.7	6.7
55	98.9	62.2	39.1	24.6	15.5	9.7	6.1
60	90.7	57.0	35.9	22.6	14.2	8.9	5.6
65	83.7	52.6	33.1	20.8	13.1	8.2	5.2
70	77.7	48.9	30.7	19.3	12.2	7.6	4.8
75	72.5	45.6	28.7	18.0	11.3	7.1	4.5
80	68.0	42.8	26.9	16.9	10.6	6.7	4.2
85	64.0	40.3	25.3	15.9	10.0	6.3	4.0
90	60.5	38.0	23.9	15.0	9.5	5.9	3.7
96	56.7	35.6	22.4	14.1	8.9	5.6	3.5

Power Supplies

See Power Supply instructions and spec sheet for wiring information. For a complete list of compatible dimmers, see Compatible Dimming Chart on the Resources page.

Universal Power Supply 1% 120VAC - 277VAC

MODEL	POWER	OUTPUT
PDCU-D - IP20 Dry Series	30 - 30 W 60 - 60 W 96 - 96 W 3X96 - 3X96 W	24 - 24 VDC
PDCU-W - IP66 Wet Series	96 - 96 W 3X96 - 3X96 W	

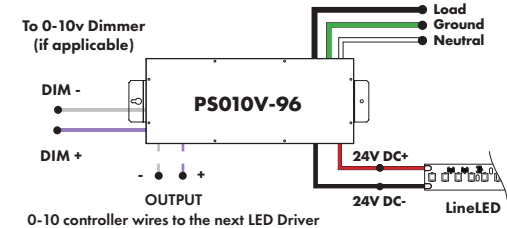


0-10V dims down to 1%, MLV/ELV/TRIAC dims down to 1%.
For a complete list of compatible dimmers, see [Compatible Dimming Chart](#) on the Resources page.

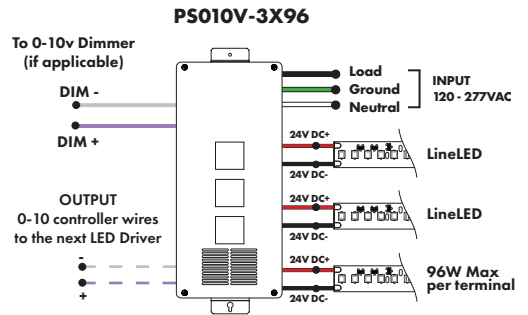
MODELS	PDCU-W 96W	PDCU-W 3X96W	PDCU-D 30W	PDCU-D 60W	PDCU-D 96W	PDCU-D 3X96W
Length	8.66"	11.85"	6.10"	7.93"	8.25"	9.57"
Width	3.73"	4.32"	3.35"	3.35"	4.10"	5.94"
Depth	1.61"	1.81"	1.33"	1.32"	1.56"	1.13"

0-10V Dimming Power Supplies 0.1% 120VAC - 277VAC

MODEL	POWER	OUTPUT	DIMMING
PS010V - 0-10V Power Supply dims down to 0.1%	96 - 96 Watt 3X96 - 3 X 96 Watt	24 - 24 VDC	LIN - Linear LOG - Logarithmic



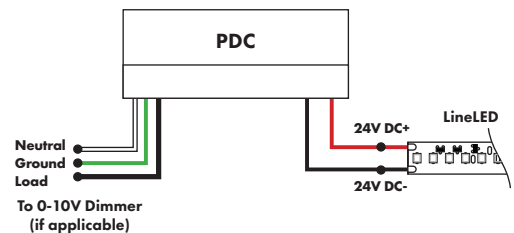
MODELS	96W	3X96
Length	14.40"	15.75"
Width	5.20"	6.62"
Depth	2.60"	4.95"



Triac, MLV, & ELV Compatible Dimmers

MODEL	POWER	OUTPUT
PDC - (IP20) Power Supply	96 - 96 Watts	24 - 24 VDC

MODELS	96W
Length	8.25"
Width	4.10"
Depth	1.56"



Power Supplies

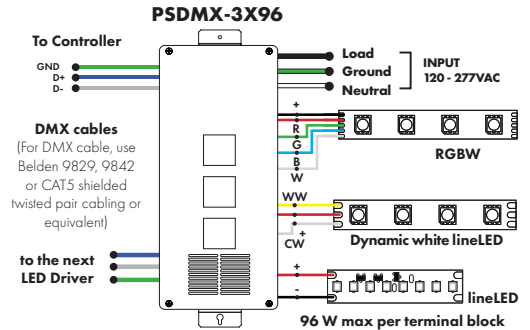
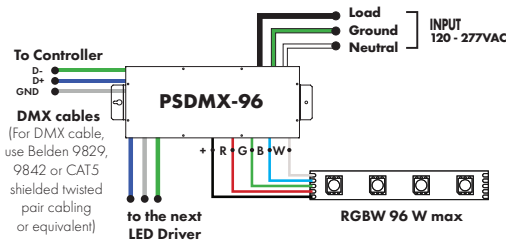
See Power Supply instructions and spec sheet for wiring information. For a complete list of compatible dimmers, see Compatible Dimming Chart on the Resources page.

DMX Dimming Power Supplies 120VAC - 277VAC

MODEL	POWER	OUTPUT
PSDMX - DMX Power Supply dims down to 0%	96 - 96 Watt 3X96 - 3 X 96 Watt	24 - 24 VDC

Features eldoLED's LINEARdrive configurable dimmable drivers

MODELS	96W	3X96
Length	14.40"	15.75"
Width	5.20"	6.62"
Depth	2.60"	4.95"

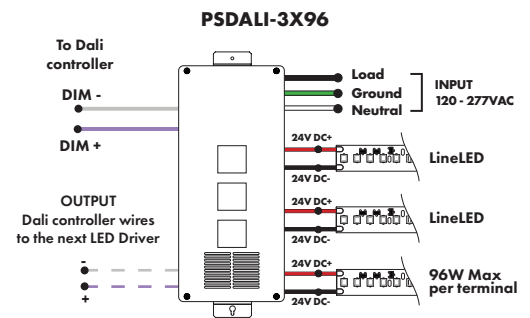
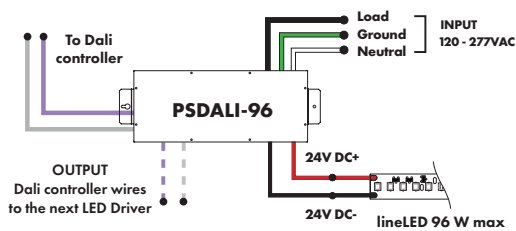


DALI 0% Dimming Power Supplies 120VAC - 277VAC

MODEL	POWER	OUTPUT
PSDALI - DALI Power Supply dims down to 0%	96 - 96 Watt 3X96 - 3 X 96 Watt	24 - 24 VDC

Features eldoLED's LINEARdrive configurable dimmable drivers

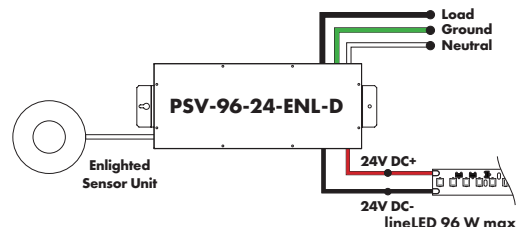
Model	96W	3X96
Length	14.40"	15.75"
Width	5.20"	6.62"
Depth	2.60"	4.95"



Enlighted Enabled Dimming Power Supplies 120VAC - 277VAC

MODEL	POWER	OUTPUT	DIMMING	LOCATION
PSV - PSV Series	96 - 96 Watt	24 - 24 VDC	ENL - Enlighted Dimming dims down to 0%	D - Damp

Model	96W
Length	14.40"
Width	5.20"
Depth	2.60"



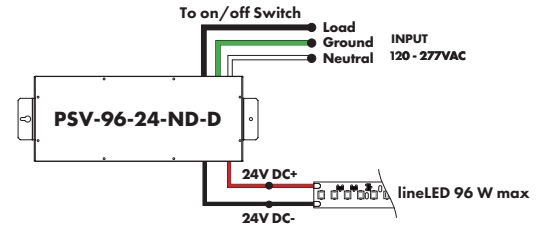
Power Supplies

See Power Supply instructions and spec sheet for wiring information. For a complete list of compatible dimmers, see Compatible Dimming Chart on the Resources page.

Non-Dimming Power Supply 120VAC - 277VAC

MODEL	POWER	OUTPUT	DIMMING	LOCATION
PSV - PSV Series	96 - 96 Watt	24 - 24 VDC	U2ND - Non Dimming	D - Damp

MODELS	96W
Length	14.40"
Width	5.20"
Depth	2.60"

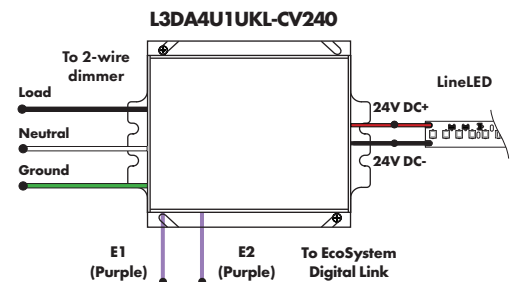
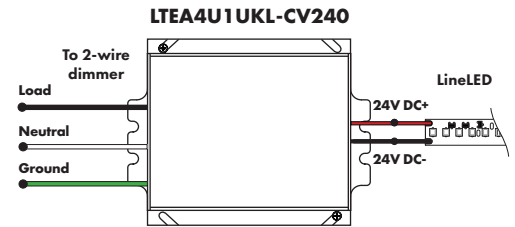


Luminii is a Lutron OEM Advantage Partner

Lutron Power Supplies 1%

MODEL	MODEL
LTEA4U1UKL-CV240	L3DA4U1UKL-CV240
Lutron - HiLume™ 1% 2-wire LED Driver 40W max	HiLume™ 1% EcoSystem Voltage LED driver 40W max
(120V forward phase only)	

MODELS	LTEA4U1UKL-CV240	L3DA4U1UKL-CV240
Length	4.89"	4.98"
Width	4.00"	4.00"
Depth	2.62"	2.62"

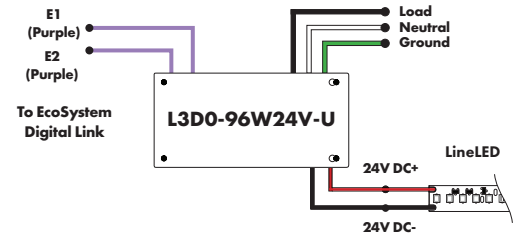


Luminii is a Lutron OEM Advantage Partner

Lutron Power Supplies 0.1%

MODEL
L3D0-96W24V-U
HiLume™ 0.1% EcoSystem Voltage LED Driver with Soft-On, Fade-to-Black™ 96W max

MODELS	L3D0
Length	10.50"
Width	5.50"
Depth	2.00"



In-Ground Power Supplies

MODEL	POWER	OUTPUT	INPUT
IG - In ground CVE Series	CVE - ELV Dimming DALI - eidoLED Dali dimming Both dims down to 0%	96X2 - 2 X 96 Watt	24 - 24 VDC
			Blank - 120 V 277 - 240/277 V

MODELS	Dual Circuit
Length	8.40"
Width	8.30"
Depth	8.10"

