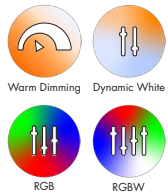




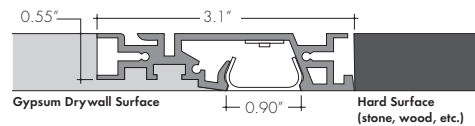
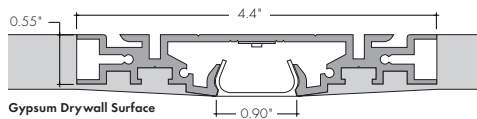
Gypsum Drywall Surface (Mud In)

Gypsum Drywall Surface (Mud In) to Hard Surface



Features

- 24VDC Class 2 fixtures made to order up to 144". Fixtures can be linked up to 32' depending on output
- Available with plenum rated wire leads or with integral junction box for splice connection.
- Approved for closet/storage space installation per NEC 410.16(A)(3) and 410.16(C)(5)
- Class 2 listed for damp locations
- Dot free even illumination
- Proprietary strong bond solder method handles up to 50 lbs of pull force on wire leads and connectors.
- WD68 Warm Dim follows the incandescent dimming curve and is compatible with MLV, ELV, and Incandescent dimmers.
- DW68 Dynamic White allows individual control of CCT and output
- RGB options offer balanced output across the color gamut and a true white with RGBW
- 5 Year warranty



Technical Information

TYPE	Warm Dim	Dynamic White			RGBW		RGB		Pixel	
OUTPUT OPTIONS	WD68SO (19K-27K)	DW68SO (27K-65K)	DW68HO (27K-65K)	RGBW36SO	RGBW36HO	RGB42SO	RGB42HO	RGBWX18SO	RGBX18SO	
Lumens Output (all channels full on) (with a Frosted Lens)	195 lm/ft	237 lm/ft	285 lm/ft	119 lm/ft	197 lm/ft	118 lm/ft	173 lm/ft	144 lm/ft	95 lm/ft	
Average Power Consumption (for a 4' section)	5.4 W/ft	4.6 W/ft	5.6 W/ft	4 W/ft	7.6 W/ft	4.5 W/ft	8.3 W/ft	5.7 W/ft	4.5 W/ft	
Efficacy	36 lm/W	52 lm/W	51 lm/W	30 lm/W	26 lm/W	26 lm/W	21 lm/W	25 lm/W	21 lm/W	
Max Run Length (in series)	20 ft	32 ft	32 ft	26 ft	13 ft	28 ft	13 ft	20 ft	30 ft	
Max Ambient Temperature*	50°C [122°F]	50°C [122°F]			50°C [122°F]				50°C [122°F]	
Control/Dimming Protocol	MLV, ELV, Inc.	0-10V, DMX			DMX				SPI Protocol UCS 2904	SPI Protocol UCS 2903

*Max Ambient Temperature to maintain L70 of 50k+ hours. Exceeding Max Ambient Temperature may result in decreased life/output. Consult Technical Support for specific inquiries.

Warm Dim (WD68)					Dynamic White (DW68)					RGBW (3000K)					Dominant Wavelength			
CCT		CRI	R _f	R _g	R ₉	CCT		CRI	R _f	R _g	R ₉	Tape	CRI	R _f	R _g	R ₉	Color	RGB/RGBW
1900K	2400K	2700K	96	97	96	2700K	2900K	3500K	4100K	4400K	6500K	RGBW36	95	93	106	84	Red	620nm
92	96	93	92	96	98	98	97	95	91	97	92	RGBWX18	93	91	99	64	Green	525nm
96	96	96	103	98	96	94	94	97	104	97	88	DW68		CCT Multiplier		Blue	467nm	
92	93	106	95	96	101	102	97	97	79	97	88			27K - 65K				
96	93	106	95	96	101	102	94	97	91	97	88			19K - 35K				
96	93	106	95	96	101	102	94	97	91	97	88			1.00				
96	93	106	95	96	101	102	94	97	91	97	88			0.78				

Ordering Code

MODEL	LENGTH ¹	OUTPUT ²	CCT	LENS	MOUNTING	LEFT END	RIGHT END	POWER FEED
LN-Linii	12"-144" 3" increments	WD68SO - Standard	19K27K - 1900K - 2700K	F - Frosted Lens FS - Frosted Silicone Lens N - No Lens	GDS - Gypsum Drywall DHS - Surface Drywall to Hard Surface	LE - With End Cap LN - Without End Cap, with Quick Connect	RE - With End Cap RN - Without End Cap, with Quick Connect	P1 - Plenum Rated (72" wire leads) JB - Junction Box NPF - No Powerfeed ³
	12"-144" 3" increments	DW68SO - Standard DW68HO - High	19K35K - 1900K - 3500K 27K65K - 2700K - 6500K					
	12"-144" 2" increments	RGBW36SO - Standard RGBW36HO - High RGB42SO - Standard RGB42HO - High	CLR - Color					
	12"-144" 4" increments	RGBWX18SO - Standard RGBX18SO - Standard	PXSPI - Smart Pixel Control					

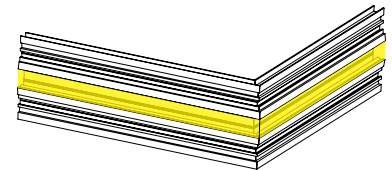
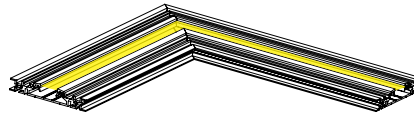
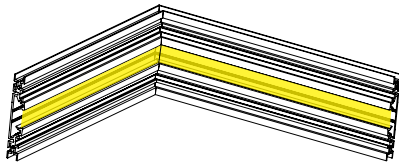
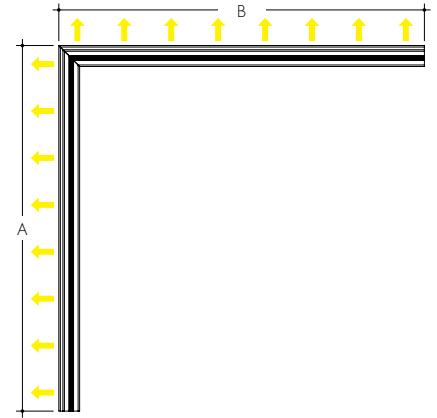
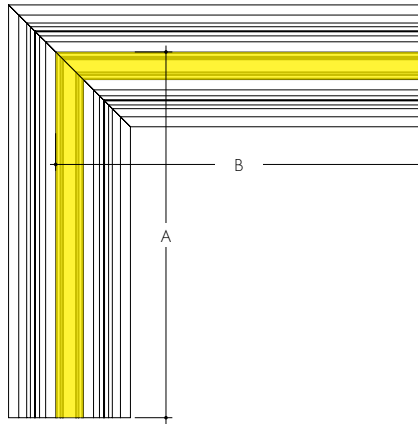
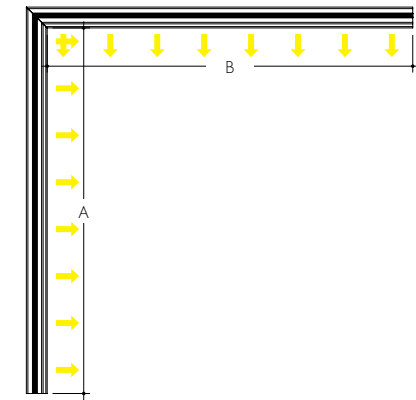
1 - Custom lengths and increments are available, please consult Inside Sales with specific request.
 2 - Warm Dim and Dynamic White options can be used to comply with Title 24 JAB at max brightness depending on lens selection, see multiplier charts to calculate specific efficacy.
 3 - Cant be paired with LE - RE option

Linii Corner Options

LIN-IC
Inner Corner

LIN-FC
Flat Corner

LIN-OC
Outside Corner



Dynamic White	Actual Length		Total Wattage	
	A	B	DW68SO	DW68HO
Corner Type				
Flat (LIN-FC)	10 1/16	10 12/16	8.7	10.8
Outer (LIN-OC)	10 9/16	10 9/16	8.7	10.8
Inner (LIN-IC)	9 6/16	9 6/16	8.7	10.8

Warm Dimming	Actual Length		Total Wattage
	A	B	WD68SO
Corner Type			
Flat (LIN-FC)	10 1/16	10 12/16	10.2
Outer (LIN-OC)	10 9/16	10 9/16	10.2
Inner (LIN-IC)	9 6/16	9 6/16	10.2

RGB/RGBW/PIXEL	Total Wattage						Actual Length		Total Wattage	
	A	B	RGBW36SO	RGBW36HO	RGB42SO	RGB42HO	A	B	RGBX18SO	RGBWX18SO
Corner Type										
Flat (LIN-FC)	12	12 11/16	6.7	13.3	8.2	15.2	12	12 11/16	9.4	7.6
Outer (LIN-OC)	12 9/16	12 9/16	6.7	13.3	8.2	15.2	12 9/16	12 9/16	9.4	7.6
Inner (LIN-IC)	11 6/16	11 6/16	6.7	13.3	8.2	15.2	11 6/16	11 6/16	9.4	7.6

Ordering Code

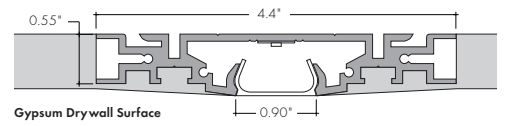
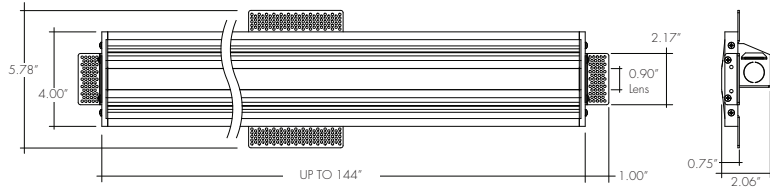
MODEL	CORNER TYPE	ANGLE	OUTPUT ²	CCT	LENS	MOUNTING	LEFT END	RIGHT END	POWER FEED
LIN-Linii	IC - Inner Corner OC - Outer Corner FC - Flat Corner	90° - 90° Corner C - Custom Angle Corner ¹	WD68SO - Standard DW68SO - Standard DW68HO - High	19K27K - 1900K - 2700K 19K35K - 1900K - 3500K 27K65K - 2700K - 6500K	F - Frosted Lens FS - Frosted Silicone Lens N - No Lens	GDS - Gypsum Drywall Surface DHS - Drywall to Hard Surface	LE - With End Cap LN - Without End Cap, with Quick Connect	RE - With End Cap RN - Without End Cap, with Quick Connect	P1 - Plenum Rated (72" wire leads) JB - Junction Box NPF - No Powerfeed ³
			RGBW36SO - Standard RGBW36HO - High RGB42SO - Standard RGB42HO - High	CLR - Color					
			RGBWX18SO - Standard RGBX18SO - Standard	PXSPI - Smart Pixel Control					

1 - Custom lengths and increments are available, please consult Inside Sales with specific request.
2 - Warm Dim and Dynamic White options can be used to comply with Title 24 JAB at max brightness depending on lens selection, see multiplier charts to calculate specific efficacy.

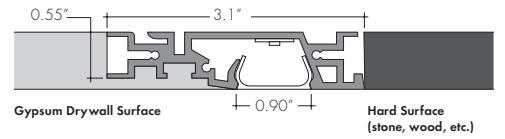
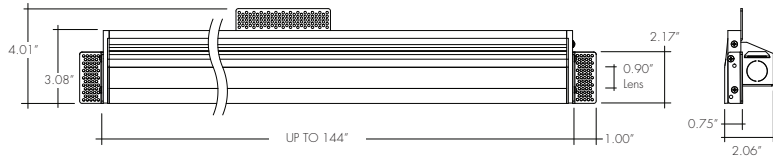
3 - Continuous Lens may be ordered separately for multi-fixture runs to create an even, seamless appearance.
4 - Non SA finishes have extended lead times. Custom RALs are available, please consult Inside Sales for specific request.
5 - Polished Gold finishes have a maximum fixture length of 48", and Chrome finishes have a maximum fixture length of 72".

Product Dimensions

Linii GDS - Gypsum Drywall Surface



Linii DHS - Gypsum Drywall Surface to Hard Surface

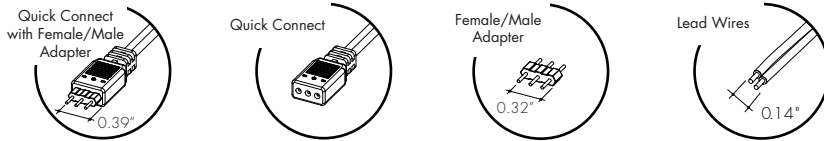


Powerfeeds and Connectors

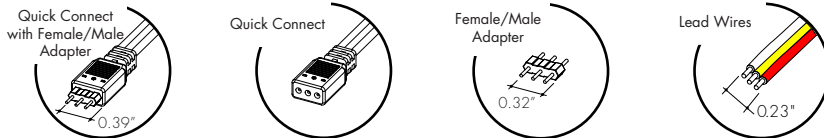
Linking and Extension Cable Options

Jumpers, Adapters, and Lead Wires are included

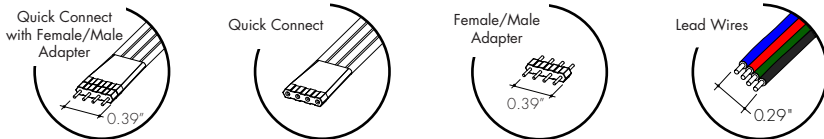
For use with Warm Dim (WD68):



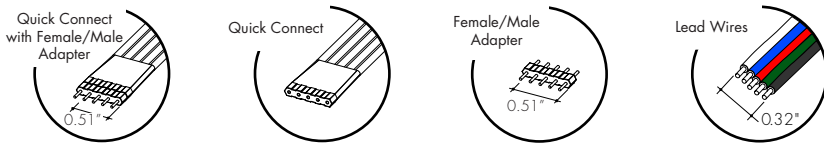
For use with Dynamic White (DW68), RGB Pixel (RGBX18) and RGBW Pixel (RGBWX18):



For use with RGB (RGB42):



For use with RGBW (RGBW36):



Powerfeed options for Straight Fixtures

LIN-XX-JB

One integrated junction box centered on Straight fixture



LIN-XX-P1

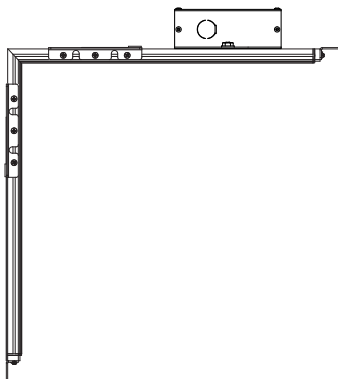
Wire leads, plenum rated CL3R cable on Straight Fixture



Powerfeed options for Corner Fixtures

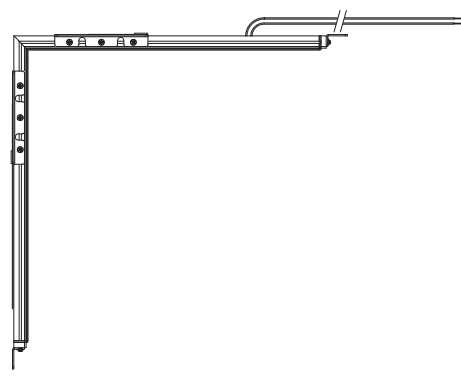
LIN-IC-XX-JB

One integrated junction box centered on Inside Corner fixture



LIN-IC-XX-P1

Wire leads, plenum rated CL3R cable on Inside Corner Fixture



Lens Option / Light Transmission

Output Options	Lens/Accessory	
	Frosted	Frosted Silicone
WD68SO - 27K	ND	ND
WD68SO - 19K	ND	ND
DW68SO (All On)	ND	ND
DW68SO (1-Channel)	ND	ND
DW68HO (All On)	ND	ND
DW68HO (1-Channel)	ND	ND
RGBW36SO	ND	ND
RGBW36HO	ND	ND
RGB42SO	ND	ND
RGB42HO	ND	ND
RGBWX18SO	SD	SD
RGBX18SO	SD	SD
Transmission Percentage	100%	107%



CD SD ND
CD - Clear Dotting
SD - Slight Dotting
ND - No Dotting

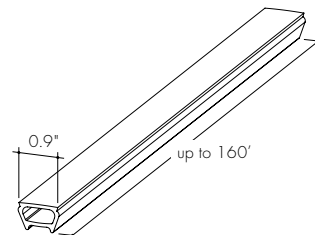
Accessory Options

CONTINUOUS LENS (FIELD CUTTABLE)

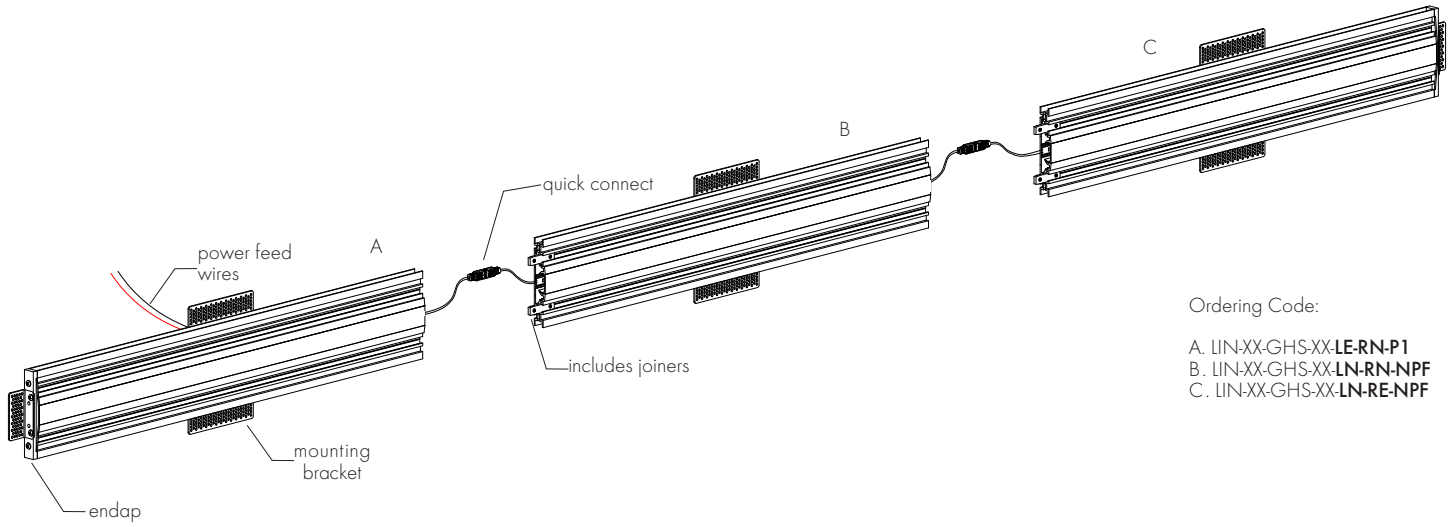


LINC-FS-Continuous Frosted Silicone Lens

Order in 10' increments up to 160'

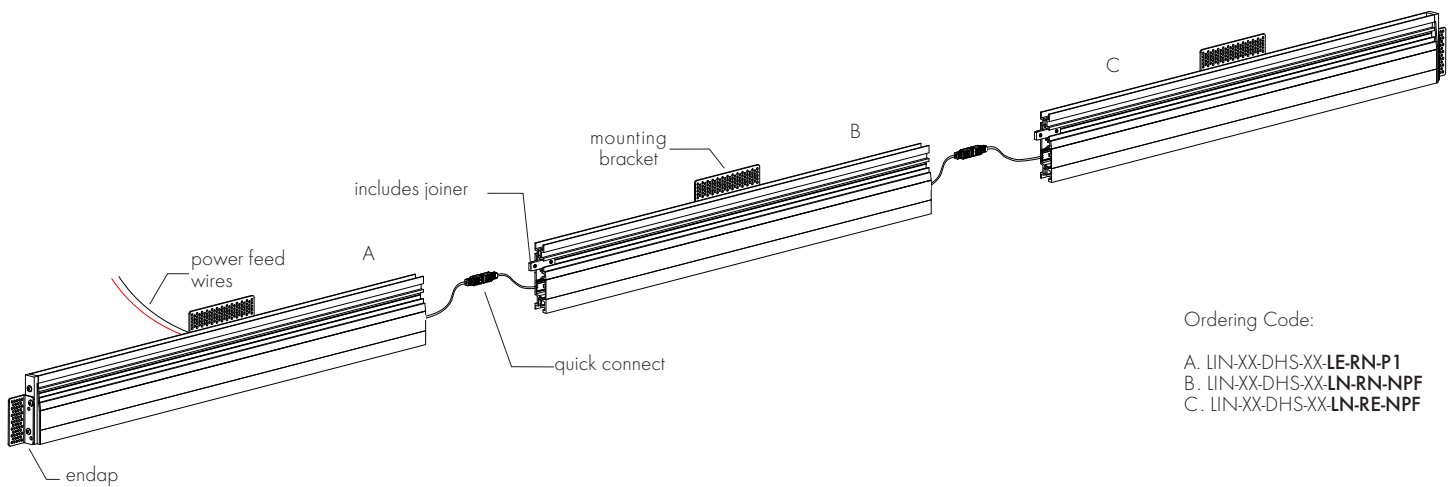


Sample Layout of Power Feed



Ordering Code:

- A. LIN-XX-GHS-XX-LE-RN-P1
- B. LIN-XX-GHS-XX-LN-RN-NPF
- C. LIN-XX-GHS-XX-LN-RE-NPF

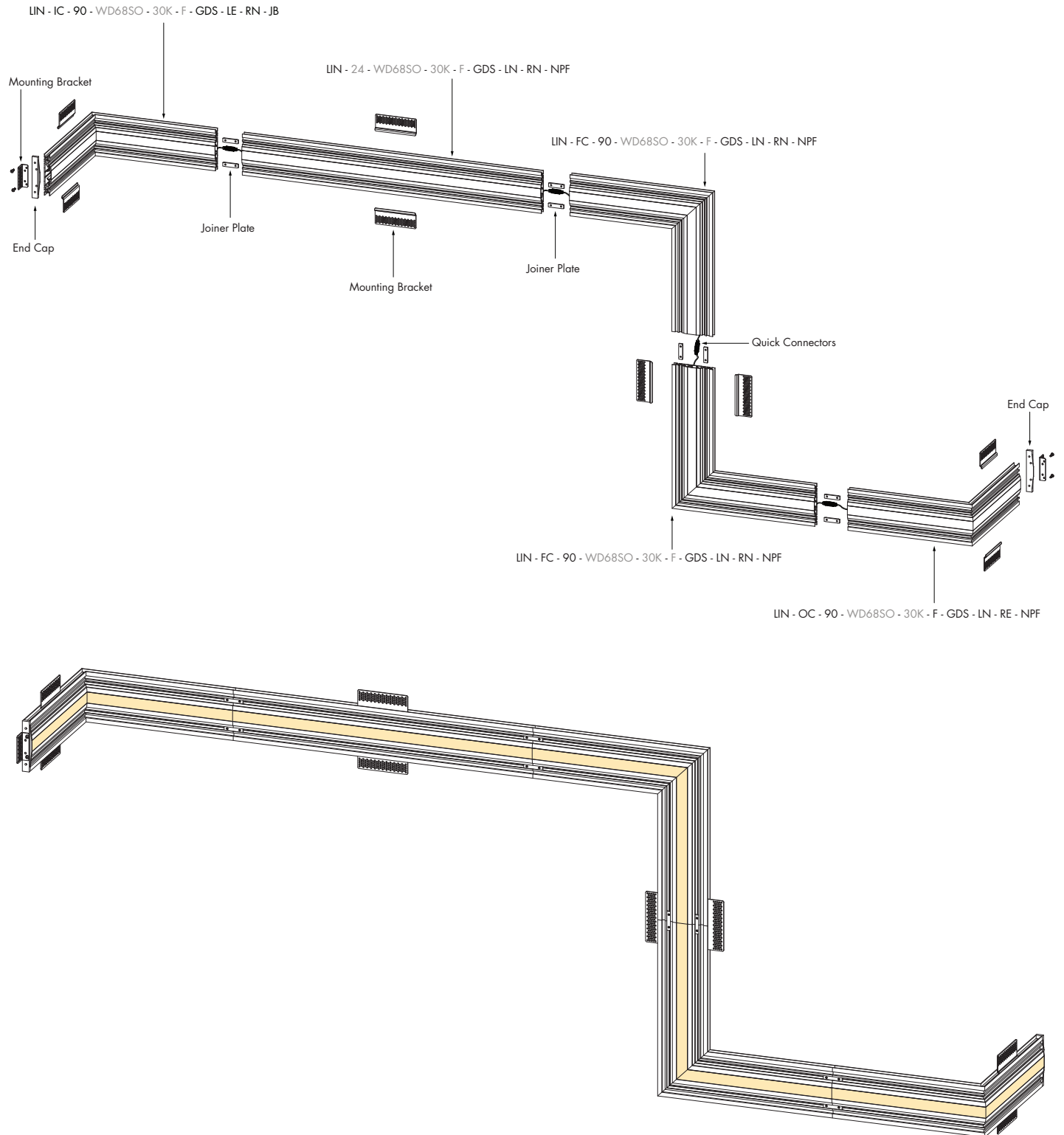


Ordering Code:

- A. LIN-XX-DHS-XX-LE-RN-P1
- B. LIN-XX-DHS-XX-LN-RN-NPF
- C. LIN-XX-DHS-XX-LN-RE-NPF

Layout Example

Corner types and straight runs are ordered individually



Power Consumption

Tested at Full Power with PDC Series power supplies.

Standard Nominal Lengths offered provide minimal shadowing. For alternate lengths, please consult Inside Sales with specific request.

Warm Dim (WD68)

Nominal Length (in)	Actual Length	Watts	Nominal Length (in)	Actual Length	Watts	Nominal Length (in)	Actual Length	Watts	Nominal Length (in)	Actual Length	Watts
12	10 5/16	4.1	47	-	-	82	-	-	117	-	-
13	-	-	48	-	-	83	-	-	118	-	-
14	-	-	49	-	-	84	-	-	119	118 10/16	41.2
15	-	-	50	49 11/16	18.0	85	84 3/16	29.7	120	-	-
16	15 4/16	5.1	51	-	-	86	-	-	121	-	-
17	-	-	52	-	-	87	-	-	122	-	-
18	-	-	53	-	-	88	-	-	123	-	-
19	-	-	54	-	-	89	-	-	124	123 9/16	42.6
20	-	-	55	54 10/16	20.2	90	89 1/16	31.8	125	-	-
21	20 3/16	6.8	56	-	-	91	-	-	126	-	-
22	-	-	57	-	-	92	-	-	127	-	-
23	-	-	58	-	-	93	-	-	128	-	-
24	-	-	59	-	-	94	-	-	129	128 7/16	43.8
25	-	-	60	59 9/16	22.4	95	94	33.8	130	-	-
26	25 2/16	8.6	61	-	-	96	-	-	131	-	-
27	-	-	62	-	-	97	-	-	132	-	-
28	-	-	63	-	-	98	-	-	133	-	-
29	-	-	64	-	-	99	98 15/16	35.2	134	133 6/16	45.1
30	-	-	65	64 8/16	24.0	100	-	-	135	-	-
31	30	11.0	66	-	-	101	-	-	136	-	-
32	-	-	67	-	-	102	-	-	137	-	-
33	-	-	68	-	-	103	-	-	138	-	-
34	-	-	69	-	-	104	103 14/16	36.4	139	138 5/16	46.7
35	34 15/16	12.9	70	69 6/16	25.3	105	-	-	140	-	-
36	-	-	71	-	-	106	-	-	141	-	-
37	-	-	72	-	-	107	-	-	142	-	-
38	-	-	73	-	-	108	-	-	143	-	-
39	-	-	74	-	-	109	108 12/16	37.6	144	143 3/16	48.4
40	39 14/16	14.8	75	74 5/16	26.7	110	-	-			
41	-	-	76	-	-	111	-	-			
42	-	-	77	-	-	112	-	-			
43	-	-	78	-	-	113	-	-			
44	-	-	79	-	-	114	113 11/16	39.4			
45	44 13/16	16.3	80	79 4/16	28.2	115	-	-			
46	-	-	81	-	-	116	-	-			

Power Consumption

Tested at Full Power with PDC Series power supplies.

Standard Nominal Lengths offered provide minimal shadowing. For alternate lengths, please consult Inside Sales with specific request.

Dynamic White (DW68)

Nominal Length (in)	Actual Length	Watts	Nominal Length (in)	Actual Length	Watts	Nominal Length (in)	Actual Length	Watts	Nominal Length (in)	Actual Length	Watts
12	12	4.7	47	–	–	82	–	–	117	116 1/16	37.9
13	–	–	48	–	–	83	82 5/16	28.3	118	–	–
14	–	–	49	48 9/16	17.4	84	–	–	119	118 14/16	39.0
15	14 13/16	5.4	50	–	–	85	–	–	120	–	–
16	–	–	51	–	–	86	85 2/16	29.1	121	–	–
17	–	–	52	51 6/16	18.3	87	–	–	122	121 11/16	40.0
18	17 10/16	6.4	53	–	–	88	87 15/16	29.8	123	–	–
19	–	–	54	–	–	89	–	–	124	–	–
20	–	–	55	54 3/16	18.9	90	–	–	125	124 8/16	40.8
21	20 7/16	7.4	56	–	–	91	90 12/16	30.6	126	–	–
22	–	–	57	57	19.8	92	–	–	127	–	–
23	–	–	58	–	–	93	–	–	128	127 5/16	41.6
24	23 4/16	8.4	59	–	–	94	93 9/16	31.4	129	–	–
25	–	–	60	59 13/16	20.7	95	–	–	130	–	–
26	–	–	61	–	–	96	–	–	131	130 2/16	42.1
27	26 1/16	9.1	62	–	–	97	96 6/16	32.1	132	–	–
28	–	–	63	62 10/16	21.6	98	–	–	133	132 15/16	42.8
29	28 14/16	10.1	64	–	–	99	–	–	134	–	–
30	–	–	65	–	–	100	99 3/16	32.9	135	–	–
31	–	–	66	65 7/16	22.4	101	–	–	136	135 12/16	43.7
32	31 11/16	11.0	67	–	–	102	102	33.5	137	–	–
33	–	–	68	–	–	103	–	–	138	–	–
34	–	–	69	68 4/16	23.3	104	–	–	139	138 9/16	44.5
35	34 8/16	12.0	70	–	–	105	104 13/16	34.3	140	–	–
36	–	–	71	–	–	106	–	–	141	–	–
37	–	–	72	71 1/16	23.9	107	–	–	142	141 6/16	45.3
38	37 5/16	13.1	73	–	–	108	107 10/16	35.1	143	–	–
39	–	–	74	73 14/16	24.9	109	–	–	144	–	–
40	–	–	75	–	–	110	–	–			
41	40 2/16	13.9	76	–	–	111	110 7/16	36.1			
42	–	–	77	76 11/16	26.0	112	–	–			
43	42 15/16	15.0	78	–	–	113	–	–			
44	–	–	79	–	–	114	113 4/16	37.2			
45	–	–	80	79 8/16	27.2	115	–	–			
46	45 12/16	16.2	81	–	–	116	–	–			

Power Consumption

Tested at Full Power with PDC Series power supplies.

Standard Nominal Lengths offered provide minimal shadowing. For alternate lengths, please consult Inside Sales with specific request.

RGBW & RGB (RGBW36 & RGB42)

Nominal Length (in)	Actual Length	Watts				Nominal Length (in)	Actual Length	Watts				Nominal Length (in)	Actual Length	Watts				Nominal Length (in)	Actual Length	Watts			
		RGBW36		RGB42				RGBW36		RGB42				RGBW36		RGB42				RGBW36		RGB42	
		SO	HO	SO	HO			SO	HO	SO	HO			SO	HO	SO	HO			SO	HO	SO	HO
12	10 9/16	4.0	7.3	4.4	8.6	47	46	14.4	27.5	16.8	31.3	82	81 7/16	26.1	49.6	29.4	53.8	117	116 14/16	37.1	66.2	41.3	73.1
13	12 9/16	4.0	7.3	4.4	8.6	48	48	15.1	28.8	17.5	32.7	83	-	-	-	-	-	118	-	-	-	-	
14	-	-	-	-	-	49	-	-	-	-	-	84	83 7/16	26.8	50.8	30.0	55.0	119	118 14/16	37.8	67.5	41.9	74.0
15	14 8/16	4.5	8.5	5.2	10.0	50	49 15/16	15.8	30.0	18.3	34.0	85	-	-	-	-	-	120	-	-	-	-	
16	-	-	-	-	-	51	-	-	-	-	-	86	85 6/16	27.4	51.9	30.7	56.2	121	120 13/16	38.6	68.7	42.6	74.9
17	16 8/16	5.1	9.7	5.9	11.3	52	51 15/16	16.4	31.2	18.9	35.1	87	-	-	-	-	-	122	-	-	-	-	
18	-	-	-	-	-	53	-	-	-	-	-	88	87 6/16	28.0	52.9	31.4	57.3	123	122 13/16	39.2	69.7	43.2	75.3
19	18 7/16	5.6	10.9	6.7	12.6	54	53 14/16	17.0	32.4	19.6	36.3	89	-	-	-	-	-	124	-	-	-	-	
20	-	-	-	-	-	55	-	-	-	-	-	90	89 5/16	28.6	53.8	32.2	58.4	125	124 12/16	39.7	70.7	43.8	75.7
21	20 7/16	6.2	12.1	7.4	13.9	56	55 14/16	17.6	33.5	20.3	37.5	91	-	-	-	-	-	126	-	-	-	-	
22	-	-	-	-	-	57	-	-	-	-	-	92	91 5/16	29.2	54.8	32.9	59.5	127	126 12/16	40.3	71.7	44.4	76.1
23	22 6/16	6.7	13.3	8.2	15.2	58	57 13/16	18.2	34.7	21.0	38.7	93	-	-	-	-	-	128	-	-	-	-	
24	-	-	-	-	-	59	-	-	-	-	-	94	93 4/16	29.9	55.8	33.6	60.5	129	128 11/16	40.8	72.8	45.0	76.6
25	24 6/16	7.3	14.5	8.9	16.6	60	59 13/16	18.9	35.9	21.7	39.8	95	-	-	-	-	-	130	-	-	-	-	
26	-	-	-	-	-	61	-	-	-	-	-	96	95 4/16	30.2	56.3	34.0	61.1	131	130 11/16	41.4	73.8	45.6	77.0
27	26 5/16	8.0	15.7	9.6	18.0	62	61 12/16	19.5	37.1	22.4	41.1	97	-	-	-	-	-	132	-	-	-	-	
28	-	-	-	-	-	63	-	-	-	-	-	98	97 3/16	30.8	57.2	34.7	62.2	133	132 10/16	41.9	74.8	46.3	77.4
29	28 5/16	8.6	17.0	10.4	19.4	64	63 12/16	20.2	38.4	23.2	42.4	99	-	-	-	-	-	134	-	-	-	-	
30	-	-	-	-	-	65	-	-	-	-	-	100	99 3/16	31.3	57.9	35.4	63.4	135	134 10/16	42.5	75.5	46.8	78.1
31	30 4/16	9.3	18.2	11.1	20.7	66	65 11/16	20.8	39.7	24.0	43.7	101	-	-	-	-	-	136	-	-	-	-	
32	-	-	-	-	-	67	-	-	-	-	-	102	101 2/16	31.9	58.6	36.0	64.7	137	136 9/16	43.1	76.3	47.3	78.8
33	32 4/16	9.7	18.8	11.5	21.4	68	67 11/16	21.5	41.0	24.7	45.1	103	-	-	-	-	-	138	-	-	-	-	
34	-	-	-	-	-	69	-	-	-	-	-	104	103 2/16	32.4	59.3	36.7	65.9	139	138 9/16	43.7	77.0	47.8	79.6
35	34 3/16	10.3	20.0	12.2	22.8	70	69 10/16	22.1	42.3	25.5	46.4	105	-	-	-	-	-	140	-	-	-	-	
36	-	-	-	-	-	71	-	-	-	-	-	106	105 1/16	32.9	60.0	37.3	67.2	141	140 8/16	44.3	77.7	48.3	80.3
37	36 3/16	11.0	21.3	13.0	24.2	72	71 10/16	22.8	43.5	26.3	47.8	107	-	-	-	-	-	142	-	-	-	-	
38	-	-	-	-	-	73	-	-	-	-	-	108	107 1/16	33.5	60.7	38.0	68.4	143	142 8/16	44.9	78.5	48.8	81.0
39	38 2/16	11.7	22.5	13.7	25.6	74	73 9/16	23.5	44.8	26.9	49.0	109	-	-	-	-	-	144	-	-	-	-	
40	-	-	-	-	-	75	-	-	-	-	-	110	109	34.0	61.4	38.6	69.7						
41	40 2/16	12.4	23.8	14.5	27.0	76	75 9/16	24.1	46.0	27.6	50.2	111	111	34.8	62.6	39.3	70.5						
42	-	-	-	-	-	77	-	-	-	-	-	112	-	-	-	-	-						
43	42 1/16	13.1	25.0	15.2	28.5	78	77 8/16	24.8	47.2	28.2	51.4	113	112 15/16	35.6	63.8	39.9	71.4						
44	-	-	-	-	-	79	-	-	-	-	-	114	-	-	-	-	-						
45	44 1/16	13.8	26.3	16.0	29.9	80	79 8/16	25.4	48.4	28.8	52.6	115	114 15/16	36.3	65.0	40.6	72.3						
46	-	-	-	-	-	81	-	-	-	-	-	116	-	-	-	-	-						

Power Consumption

Tested at Full Power with PDC Series power supplies.

Standard Nominal Lengths offered provide minimal shadowing. For alternate lengths, please consult Inside Sales with specific request.

PIXEL (RGBX18/RGBWX18)

Nominal Length (in)	End Feed Actual Length*	Watts		Nominal Length (in)	End Feed Actual Length*	Watts		Nominal Length (in)	End Feed Actual Length*	Watts		Nominal Length (in)	End Feed Actual Length*	Watts	
		RGBX18	RGBWX18			RGBX18	RGBWX18			RGBX18	RGBWX18			RGBX18	RGBWX18
		SO	SO			SO	SO			SO	SO			SO	SO
12	8 10/16	4.6	5.7	47	--	--	--	82	--	--	--	117	--	--	--
13	12 9/16	4.6	5.7	48	48	17.4	21.9	83	--	--	--	118	--	--	--
14	--	--	--	49	--	--	--	84	83 7/16	29.8	37.1	119	118 14/16	40.9	51.2
15	--	--	--	50	--	--	--	85	--	--	--	120	--	--	--
16	--	--	--	51	--	--	--	86	--	--	--	121	--	--	--
17	16 8/16	6.1	7.5	52	51 15/16	18.9	23.7	87	--	--	--	122	--	--	--
18	--	--	--	53	--	--	--	88	87 6/16	31.1	38.7	123	122 13/16	42.1	52.8
19	--	--	--	54	--	--	--	89	--	--	--	124	--	--	--
20	--	--	--	55	--	--	--	90	--	--	--	125	--	--	--
21	20 7/16	7.6	9.4	56	55 14/16	20.3	25.4	91	--	--	--	126	--	--	--
22	--	--	--	57	--	--	--	92	91 5/16	32.4	40.3	127	126 12/16	43.3	54.3
23	--	--	--	58	--	--	--	93	--	--	--	128	--	--	--
24	--	--	--	59	--	--	--	94	--	--	--	129	--	--	--
25	24 6/16	9.1	11.3	60	59 13/16	21.7	27.1	95	--	--	--	130	--	--	--
26	--	--	--	61	--	--	--	96	95 4/16	33.4	41.6	131	130 11/16	44.5	55.9
27	--	--	--	62	--	--	--	97	--	--	--	132	--	--	--
28	--	--	--	63	--	--	--	98	--	--	--	133	--	--	--
29	28 5/16	10.6	13.2	64	63 12/16	23.0	28.8	99	--	--	--	134	--	--	--
30	--	--	--	65	--	--	--	100	99 3/16	34.6	43.2	135	134 10/16	45.7	57.4
31	--	--	--	66	--	--	--	101	--	--	--	136	--	--	--
32	--	--	--	67	--	--	--	102	--	--	--	137	--	--	--
33	32 4/16	11.7	14.6	68	67 11/16	24.4	30.5	103	--	--	--	138	--	--	--
34	--	--	--	69	--	--	--	104	103 2/16	35.9	44.8	139	138 9/16	46.9	58.9
35	--	--	--	70	--	--	--	105	--	--	--	140	--	--	--
36	--	--	--	71	--	--	--	106	--	--	--	141	--	--	--
37	36 3/16	13.1	16.5	72	71 10/16	25.8	32.3	107	--	--	--	142	--	--	--
38	--	--	--	73	--	--	--	108	107 1/16	37.2	46.4	143	142 8/16	48.0	60.4
39	--	--	--	74	--	--	--	109	--	--	--	144	--	--	--
40	--	--	--	75	--	--	--	110	--	--	--				
41	40 2/16	14.6	18.3	76	75 9/16	27.1	33.9	111	111	38.4	48.0				
42	--	--	--	77	--	--	--	112	--	--	--				
43	--	--	--	78	--	--	--	113	--	--	--				
44	--	--	--	79	--	--	--	114	--	--	--				
45	44 1/16	16.0	20.1	80	79 8/16	28.4	35.5	115	114 15/16	39.7	49.6				
46	--	--	--	81	--	--	--	116	--	--	--				

Power Supplies

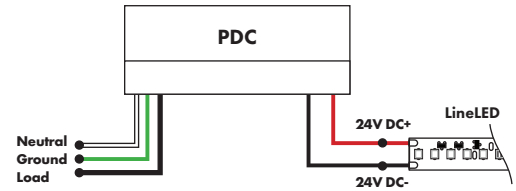
See fixture and power supply instructions & spec sheet for wiring information. Dimming possible in select models - view Luminii website for list of compatible dimmers.

For use with Warm Dim, WD68

Triac, MLV, & ELV Compatible Dimmers

MODEL	POWER	OUTPUT
PDC - (IP20) Power Supply	96 - 96 Watts	24 - 24 VDC

MODELS	96W
Length	8.25"
Width	4.10"
Depth	1.56"

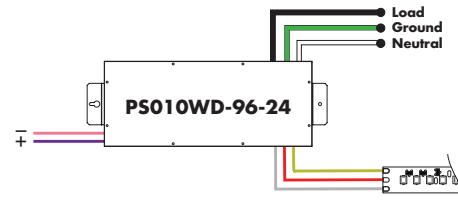


For use with Dynamic White, DW68

0-10V Warm Dimming 0% Power Supply 120VAC - 277VAC (for warm dimming of Dynamic White option)

MODEL	POWER	OUTPUT
PS010WD - 0-10 Warm dim LED Power Supply	96 - 96 Watt	24 - 24 VDC

Requires a 0-10V controller to work properly

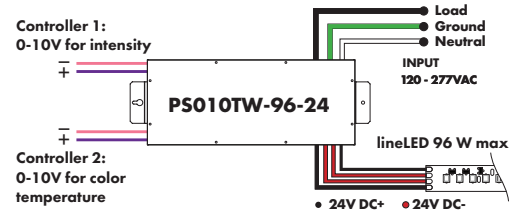


0-10V Tunable White 0% Dimming Power Supply 120VAC - 277VAC (for tunable white control of Dynamic White option)

MODEL	POWER	OUTPUT
PS010TW - 0-10 Tunable White LED Driver	96 - 96 Watt	24 - 24 VDC

Requires two 0-10V controllers to work properly

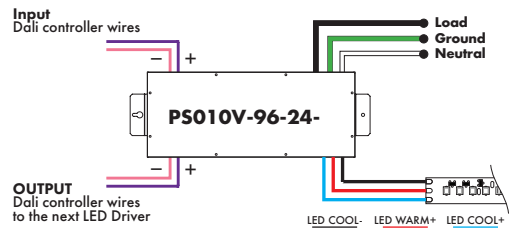
MODELS	PS010TW
A Length	14.40"
B Width	2.60"
C Depth	5.20"



Customizable Dim to Warm or Variable White via 0 - 10V (for tunable white or warm dimming control of Dynamic option)

MODEL	POWER	OUTPUT	CONTROL
PS010V-0-10 LED Driver	96-96 Watt	24-24 VDC	WW- Standard One Channel - Dim To Warm Curve W2C- Standard Two Channel - Dim 1: Intensity; Dim 2: CCT W21- Standard Two Channel - Dim 1: Warm Channel Intensity; Dim 2: Cool Channel Intensity W1X- Custom One Channel - Dim To Warm Curve W2X- Custom two Channel - Dim 1: Intensity; Dim 2: CCT

Requires a 0-10V controller to work properly



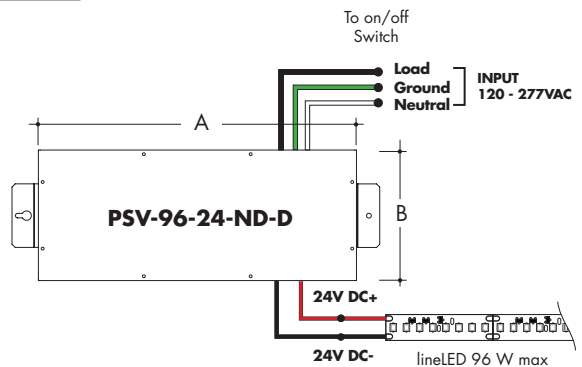
For use with RGB/RGBW/Pixel, RGB42/RGBW36/RGBX18/RGBWX18

Non-Dimming Power Supply 120VAC - 277VAC

MODEL	POWER	OUTPUT	DIMMING	LOCATION
PSV - PSV Series	96 - 96 Watt	24 - 24 VDC	ND - Non Dimming	D - Dry location

Requires a controller and a decoder to work properly

MODELS	96W
A Length	14.40"
B Width	5.20"
Depth	2.60"



Power Supplies

See fixture and power supply instructions & spec sheet for wiring information. Dimming possible in select models - view Luminii website for list of compatible dimmers.

For use with RGB/RGBW, RGB42/RGBW36 or with Dynamic White, DW68

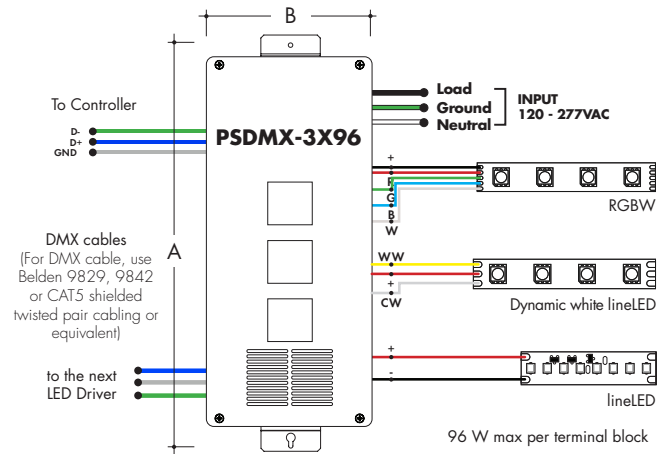
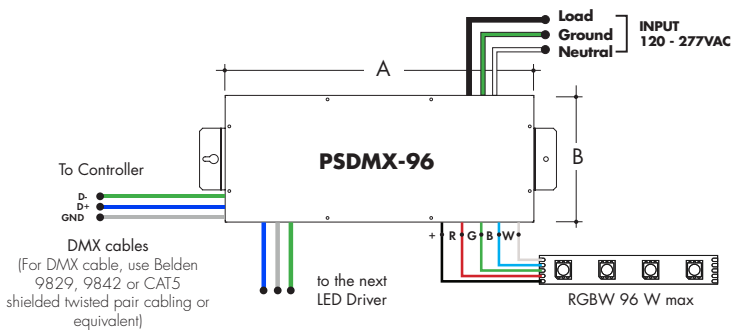
DMX 0% Dimming Power Supplies 120VAC - 277VAC

MODEL	POWER	OUTPUT
PSDMX-DMX Power Supply dims down to 0%	96 - 96 Watt 3X96 - 3 X 96 Watt	24-24 VDC

Features eldoLED's LINEARdrive configurable dimmable drivers.

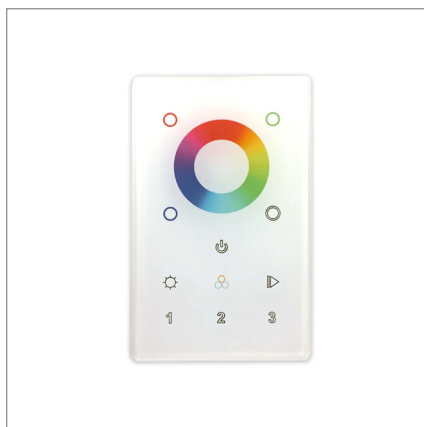
DDMX-RGBW DMX Decoder not required when purchasing this power supply.

MODELS	96W	3X96
A Length	14.40"	15.75"
B Width	5.20"	6.62"
Depth	2.60"	4.95"



DMX-1Z-RGBW, DMX-3Z-RGBW

RGBW LED 1 or 3 Zone Controller



ORDERING CODE

MODEL	ZONES	COLOR
DMX - DMX Controller	3Z - Three Zone 1Z - One Zone	RGBW - Red, Green, Blue, & White

DMX /Wireless RGB-W wall-mount controller controls DMX lighting fixtures, wireless control of RGB-W lighting fixture or use both simultaneously. Fits in any standard US switch box. Includes all the outputs in the back of the controller.

Control brightness levels with a single touch, personalize and memorize 3 different scenes, and even create 3 variations of white.

Features

- 2 in 1 in-Wall Controller: DMX Control or Wireless RGB-W
- 65,000 Color Options, Dimming and Speed Control
- Memory Function
- 50 Foot Wireless Range
- Easily Fits Standard US Switch Boxes
- Touch Sensitive Glass Surface
- Includes 10 Built in Programs, or Create and Play Your Own

Operating Voltage

12 - 24V DC

Color Parameters

- Brightness
- Saturation
- Primary colors
- Fading
- Color changing speed

Touch DMX Controller

Touchscreen digital LED controller



MODEL

TSDMX-E

TSDMX-E - Touchscreen DMX controller

Programmable advanced DMX512 lighting controller featuring a touch-screen interface. Operates as stand alone controller or integrated with most architectural lighting control systems. Can controller endless DMX512 enabled devices.

Mounts to standard single or dual gang wall box with the included power supply inside the junction box. Terminal block design for power and data connections.

Features

- Sleek glass design which sits 0.43" from the wall
- Graphical color display to show selected environment
- Color/dimmer/speed palette
- Color temperature mixing
- Touch sensitive buttons. No mechanical parts
- Touch sensitive wheel allows for accurate color selection
- Multi-zone microSD memory
- Multi-room control with 500 scenes, 10 zones
- 1024 DMX channels. Control 340 RGB fixtures
- USB & Ethernet connectivity for programming and control

Power Supply

7 VDC (included)

Programmability

PC, Mac, Tablet, Smartphone

Output Signal

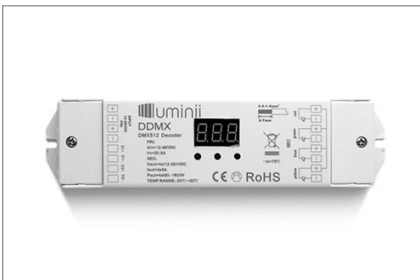
DMX512 (1024 channels)

Color Parameters

- Brightness
- Saturation
- Speed of color changing sequence
- Fading / dimming / brightness

DMX Decoder

DMX signal to RGBW decoder (required to operate DMX controller)



ORDERING CODE

MODEL

DDMX-RGBW

DDMX-RGBW - DMX decoder

Translates controller DMX512 programs for RGB and white LED strips.

Unique DMX address for the decoder can be set easily and displayed by the numeric display on the case. Changing and resetting the DMX address requires manual input.

Use power repeater to expand output.

Operating Voltage

12-36 VDC

Power Capacity

up to 96W at 24V

Operating Temperature Range

from -4°F to +122°F in case

Smart Pixel Decoder

SPI signal to DMX signal decoder



Model

SR-DMX-SPI

SR-DMX-SPI - Smart Pixel Decoder

The SR-DMX-SPI is a smart LED pixel decoder that controls RGB/RGBW pixel LED strips with SPI signal. Designed with an OLED backlit panel, the pixel controller allows for easy configuration of most settings.

Four push buttons are available for control of the LED functions.

*For pixel only.

Features

- 2 in 1 in-Wall Controller: DMX Control or Wireless RGB-W
- SPI signal output for RGB/RGBW pixel light control
- DMX512 controllable and RF/WIFI remote controllable
- Capable of addressing up to 1020 RGB pixels & 765 RGB pixels
- OLED panel allows for easy configuration

Operating Voltage

12 - 36V DC

Power capacity

up to 96W at 24V

Operating temperature range

from -4°F to +122°F in case