

LLX18-RGBW 24V - Installation Instructions

Models LLX18-RGBW-, LLX18X2-RGBW-

Please read complete instruction prior to installation and keep for future reference!

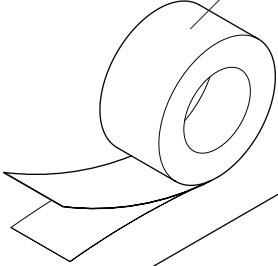
1. Product should be installed by a qualified electrician.
2. Prior to installation ensure power is off at fuse box to prevent electrical shock.
3. Use only with Class 2 power unit. *Utiliser seulement avec Classe 2 unite d'alimentation electrique.*
4. Suitable for Damp Locations. *Convient Aux Emplacements Humides.*
5. For under-cabinet or shelf mount.
6. Conforms to UL STD 2108. Certified to CSA STD C22.2 No.250.0.



7777 N. Merrimac Ave
Niles, IL 60714
T 224.333.6033
F 224.757.7557
info@luminii.com
www.luminii.com

Attention: Always test LLX18-Pixel before installing. Connect LLX18-Pixel to power supply to ensure it is working properly and no damage has occurred during shipping.

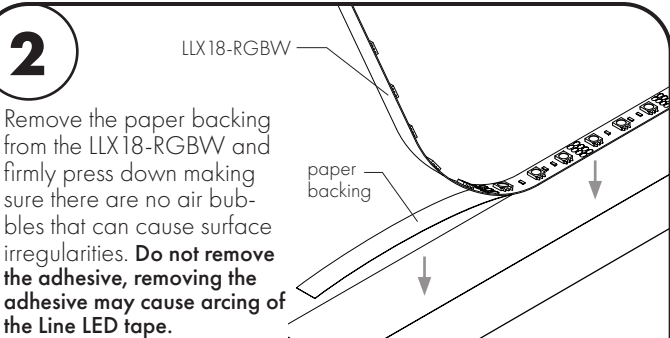
1



HST - aluminum heat sink tape

Clean the area thoroughly where the LLX18-RGBW will be installed. Use the included Heat Sink Tape for installation of LLX18-RGBW on non-aluminum and non-copper surfaces to ensure proper heat dissipation. LLX18-RGBW may not reach it's rated average life when installed otherwise.

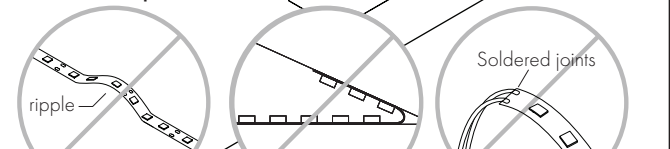
2



LLX18-RGBW

paper backing

Remove the paper backing from the LLX18-RGBW and firmly press down making sure there are no air bubbles that can cause surface irregularities. **Do not remove the adhesive, removing the adhesive may cause arcing of the Line LED tape.**



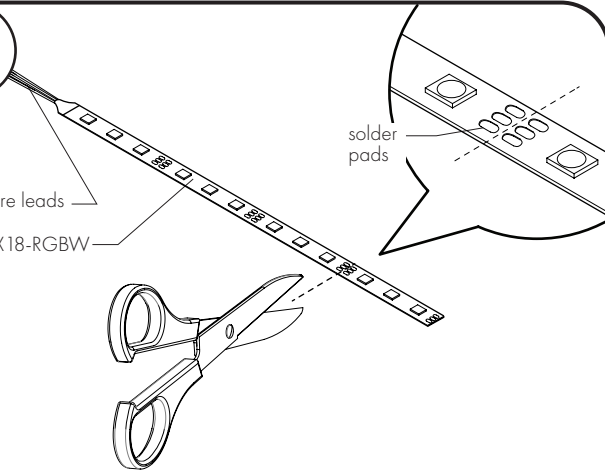
ripple

Soldered joints

NOTE - When removing backing & laying LLX18-RGBW to surface avoid installing with ripples & bending over 90°.

NOTE - Avoid sharp bends or bending on the solder joints near 1" on wire lead.

3



wire leads

LLX18-RGBW

solder pads

If required for installation, cut the LLX18-Pixel strip between two rows of solder pads. Always cut LLX18-Pixel from end without connector / wire leads.

LLX18-RGBW 24V - Installation Instructions

Models LLX18-RGBW-, LLX18X2-RGBW-

Please read complete instruction prior to installation and keep for future reference!

1. Product should be installed by a qualified electrician.
2. Prior to installation ensure power is off at fuse box to prevent electrical shock.
3. Use only with Class 2 power unit. *Utiliser seulement avec Classe 2 unite d'alimentation electrique.*
4. Suitable for Damp Locations. *Convient Aux Emplacements Humides.*
5. For under-cabinet or shelf mount.
6. Conforms to UL STD 2108. Certified to CSA STD C22.2 No.250.0.



7777 N. Merrimac Ave
Niles, IL 60714
T 224.333.6033
F 224.757.7557
info@luminii.com
www.luminii.com

WIRING DIAGRAM

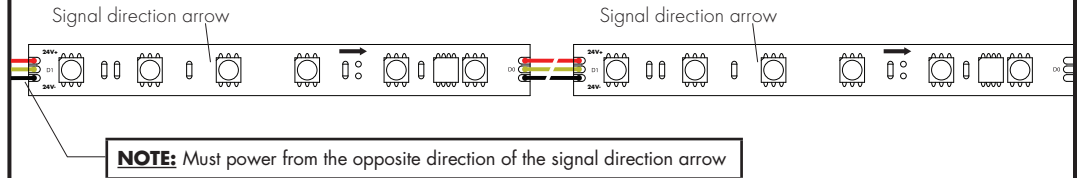
SR-DMX-SPI
Smart Pixel LineLED Decoder

NOTE: Please make sure that power is turned off before wiring.

Also, ensure that the correct power supply (voltage and wattage) is used to power the LED strips connected to the decoder. Follow illustrated wiring diagram. Use screwdriver to open and close connection slots.

NOTE: When connecting two or more LED strip lights or light fixtures, always make sure the signal direction arrows are pointing to same direction

The signal direction arrow should appear on each section (cut increment) of LED strip



CONTROLLER WIRES

1000 ft max,
decoder to Controller

