

LETO 11

PENDANT LED DOWNLIGHT



Leto 11 - Pendant LED Light. LETO 11 is a large cylinder LED pendant designed for general light. It is the perfect pendant for creating even light throughout your space without distracting from your design.

Ordering Code

Fixture	695							
	1	2	3	4	5	6	7	8
Driver							--	--
	1	2	3	4	5	6	7	8

Product Specifications

SAMPLE: Fixture **695 - CT - 610 - 2765 - 07 - AR - 08 - 02** | Driver **952 - 08 - 00 - 01 - LCS - 120 - 90 - 07**

1 - Model	2 - LED	3 - Optic	4 - CCT	5 - Lumen	6 - Accessory		
695 · Leto 11	CT · Color Tuning	610 · 10° 618 · 18° 630 · 30° 645 · 45° 660 · 60°	2765 · 2700K - 6500K	15 · 1500 @ 4000K (15W) 750lm per channel 30 · 3000 @ 4000K (34.5W) 1500lm per channel	00 · No Accessory AR · Acrylic Ring DL · Diffusing Lens HO · Honeycomb SL · Solite Lens		
7 - Body Color	8 - Baffle Color	1 - Canopy Style	2 - Canopy Color	3 - Suspension (6' incl.)			
<i>Standard</i> 01 · White 02 · Black 08 · Silver	<i>Premium</i> 52 · Mocha 53 · Charcoal 54 · Cerulean 55 · Firebrick XX · RAL	<i>Standard</i> 01 · White 02 · Black 08 · Silver	<i>Premium</i> 52 · Mocha 53 · Charcoal 54 · Cerulean 55 · Firebrick XX · RAL	951 · Round 951F · Round Flangeless 952 · Square	<i>Standard</i> 01 · White 02 · Black 08 · Silver	<i>Premium</i> 52 · Mocha 53 · Charcoal 54 · Cerulean 55 · Firebrick XX · RAL	00 · Feed Cable 01 · 1 Aircraft + Feed Cable 02 · 2 Aircraft + Feed Cable 03 · Solid Stem (6' MAX) 04 · Hang Straight Solid Stem 05 · 2 Powered Aircraft* <i>Contact Senso for custom length</i>
4 - Feed Cable	5 - Driver	Dim Level	6 - Voltage	7 - LED	8 - Lumen		
00 · None* 01 · White 02 · Black 03 · Clear XX · Custom	DALI · Dali Protocol* DMX · SENSO* CSMB · Casambi Wireless Control* ^{2/3}	0.1%	120 · 120V 277 · 277V	Same as Fixture	Same as Fixture		

*1 no feed cable color option for **05** - 2 Powered Aircraft
 *2 remote mount
 *3 second driver required

LETO 11

PENDANT LED DOWNLIGHT

Canopy / Suspension

Round Canopy: W - Ø5.17" [131.24 mm] / H - 2.36" [60mm]

Square Canopy: W/L - 5.67" [144mm] / H - 2.28" [58mm]

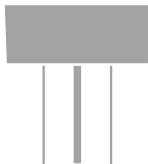
Feed Cable



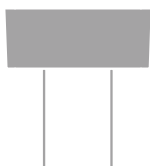
1 Aircraft Cable w/ Feed Cable



2 Aircraft Cable w/ Feed Cable



2 Powered Aircraft Cable



Solid Stem



Hang Straight Solid Stem (MAX 30°)



Reflectors

Senso metal spun faceted reflectors are specifically designed to retain as much light as possible. This results in a more power efficient fixture with a higher delivered lumen.

Faceted Reflector



Accessories

Acrylic Ring



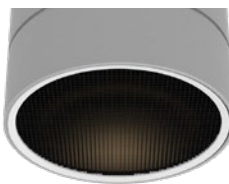
Diffusing Lens



Solite Lens



Honeycomb Mesh



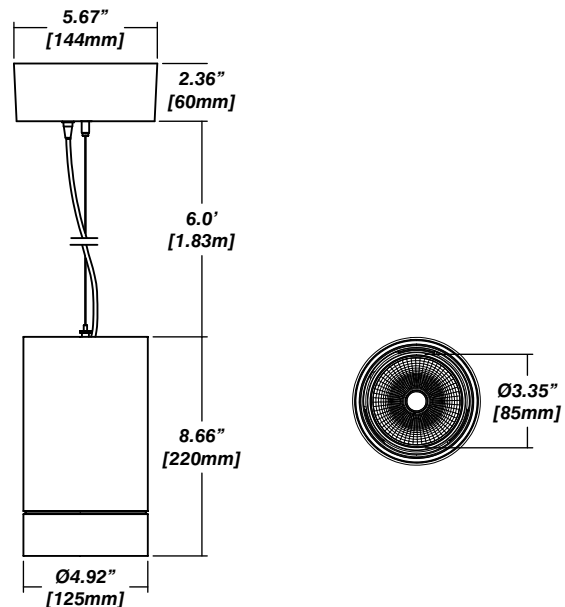
Installation

- The included canopy fits on a standard junction box
- Height adjustable aircraft cable, feed cable or solid stem suspension (specify height) included
- Electrical feed cable included

Construction / Finish

- High quality, scratch resistant powder coated finish in standard, premium or custom colors
- Aluminum extruded Body
- Made in Canada

Dimensions



LETO 11

PENDANT LED DOWNLIGHT

Photometrics

Senso's in-house photometric testing ensures that our lighting design can match your needs precisely. Our Goniophotometer and testing lab produces on-demand photometry files based on any specified fixture, including LM-79 Test reports, IES Files, and CRI/CCT measurements. See Sensolighting.com for more information.

**Full photometric Reports and IES files available for every configuration*

Color Metrics

TM 30-15

Our clients deserve the best information possible about their lighting choices. That's why Senso has invested in the Illuminating Engineering Society (IES) TM 30-15, a new system that measures an LED light source's color rendering properties. Using Senso's state-of-the-art goniophotometer, this method identifies the optimal light source for your project and helps evaluate the trade-offs between efficacy and color rendering. Senso can provide TM 30-15 data for all of our products.

**Full Color Metric Info Available at Sensolighting.com*

LED Module Performance

Output: Up to 100 lumen/Watt

Efficacy: Color consistency within a 3-MacAdam Ellipse

CCT: 2700K - 6500K

Color Rendering: 90+ CRI

Min. R Values: R⁹ - 60 R^f - 90 R^a - 100

Driver and Power Consumption

Dimming: 0.1% dimming

Casambi wireless control available

Ripple: Industry leading Low ripple

Efficiency: Power Factor >0.9

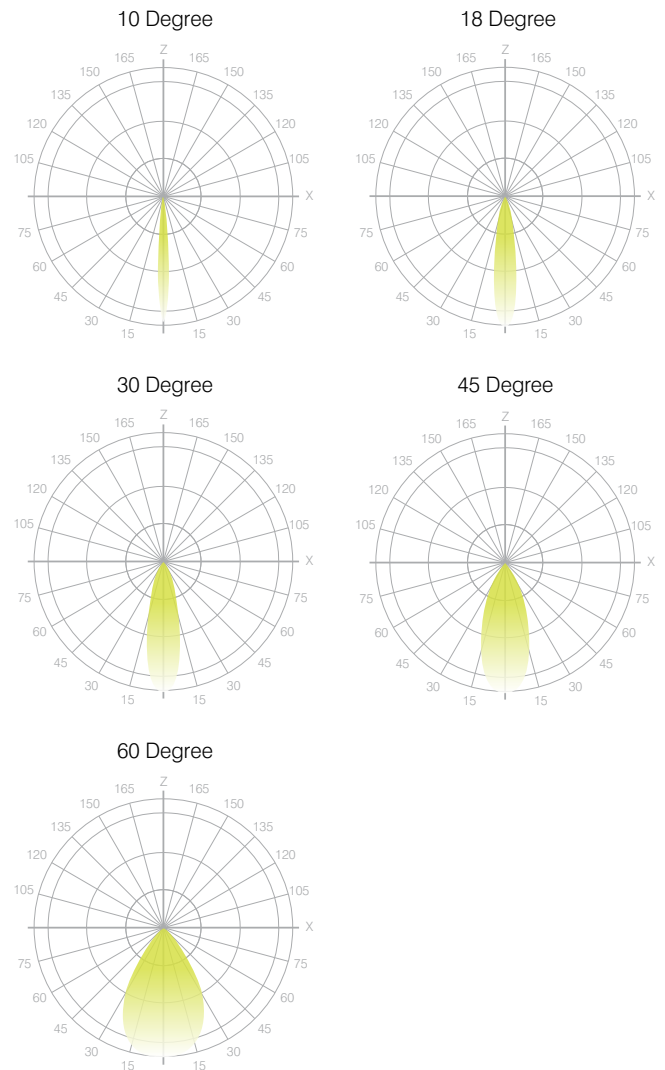
Efficiency over 85%

Class 2 output for safety

Installation: Remote mounted

Lumen Option	1500lm	3000lm
Fixture Wattage	15W	34.5W
Delivered Lumen	1347lm	2741lm

Leto Light Distribution: Reflector



LETO 11

PENDANT LED DOWNLIGHT

