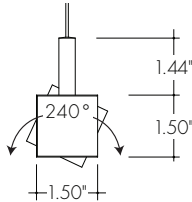




Features

- Extruded aluminum linear suspension fixture utilizing double rows of LEDs with Power Over Aircraft cable.
- Includes 8' silver adjustable cable and two white finish canopies
- Requires two junction boxes for split output connection
- 24VDC Class 2 fixtures made to order up to 120"
- Class 2 listed for damp locations
- Dot free even illumination with frosted lens
- High Color Quality options offer premium quality and vibrant colors with R9 values up to 97.
- High Efficacy options offer best in class output and efficacy with over 1690 lm/ft and up to 119 lm/W
- Proprietary strong bond solder method handles up to 50 lbs of pull force on wire leads and connectors
- 5 Year warranty



Finish Options (see page 2 for additional information)

- Silver Anodized
- White
- Aged Brass
- Black
- Matte Black
- Polished Gold
- Bronze
- Warm Nickel
- Chrome



Technical Information

TYPE	High Color Quality			High Efficacy				High Efficacy
	72SO	72HO	72VHO	HE48LO	HE48SO	HE48MO	HE48HO	HE64VHO
OUTPUT OPTIONS								
Lumens Output (3000K) <small>(with a Frosted Lens)</small>	408 lm/ft	663 lm/ft	806 lm/ft	397 lm/ft	550 lm/ft	735 lm/ft	1179 lm/ft	1492 lm/ft
Average Power Consumption <small>(for a 4' section)</small>	5.6 W/ft	9.6 W/ft	12 W/ft	3.8 W/ft	5.6 W/ft	7 W/ft	13 W/ft	15 W/ft
Efficacy	73 lm/W	69 lm/W	67 lm/W	104 lm/W	98 lm/W	105 lm/W	91 lm/W	99 lm/W
Max Run Length <small>(in series)</small>	20 ft	16 ft	11 ft	24 ft	21 ft	17 ft	12 ft	8 ft
Max Ambient Temperature*	50°C [122°F]			50°C [122°F]				45°C [113°F]

*Max Ambient Temperature to maintain L70 of 50k+ hours. Exceeding Max Ambient Temperature may result in decreased life/output. Consult Technical Support for specific inquiries.

High Color Quality (72)

CCT	Multiplier <small>(reference - 3000K)</small>	CRI	TM-30		
			R _f	R _g	R ₉
1900K	0.55	96	94	97	90
2200K	0.70	96	95	101	89
2400K	0.72	98	97	101	91
2700K	0.74	97	96	101	91
3000K	1.00	97	95	104	97
3500K	1.02	97	94	105	97
4100K	1.07	97	90	99	97

High Efficacy (HE48/HE64)

CCT	Multiplier <small>(reference - 3000K)</small>	CRI	TM-30		
			R _f	R _g	R ₉
2200K	0.73	92	91	97	42
2500K	0.81	93	96	96	62
2700K	0.94	92	90	99	58
3000K	1.00	92	89	99	57
3500K	1.02	92	89	99	60
4000K	1.02	92	86	94	71

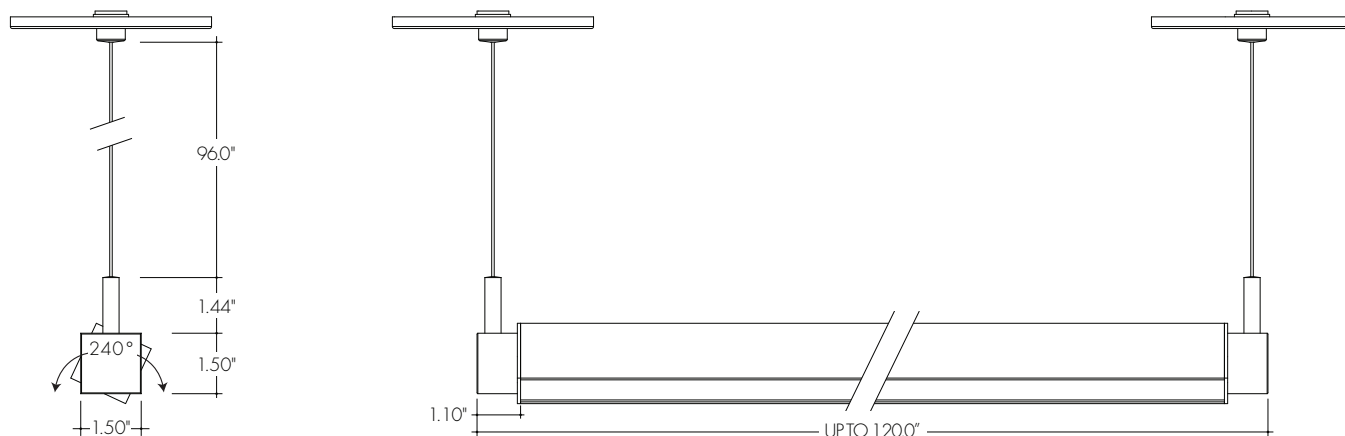
Ordering Code

MODEL	LENGTH ¹	OUTPUT	CCT	LENS ²	ENDCAP	LIGHT DIRECTION	FINISH ³
KILOS - Kilo S Power Over Aircraft	12" - 120" 1" increments	72SO - Standard 72HO - High 72VHO - Very High	19K - 1900K 22K - 2200K 24K - 2400K 27K - 2700K 30K - 3000K 35K - 3500K 41K - 4100K	F - Frosted C - Clear	A - Adjustable	U - Up D - Down	SA - Silver Anodized BK - Black BZ - Bronze WH - White MBK - Matte Black WN - Warm Nickel AB - Aged Brass PG - Polished Gold ⁴ CH - Chrome ⁴
	12" - 120" 2" increments	HE48LO - Low HE48SO - Standard HE48MO - Medium HE48HO - High HE64VHO - Very High	22K - 2200K 25K - 2500K 27K - 2700K 30K - 3000K 35K - 3500K 40K - 4000K				

1 - Custom lengths and increments are available, please consult factory with specific request.
2 - All HE48 and HE64 options can be used to comply with Title 24 JAB. LL72 options can be used to comply with Title 24 JAB depending on Output, CCT, and Lens selections, see multiplier charts to calculate specific efficacies.

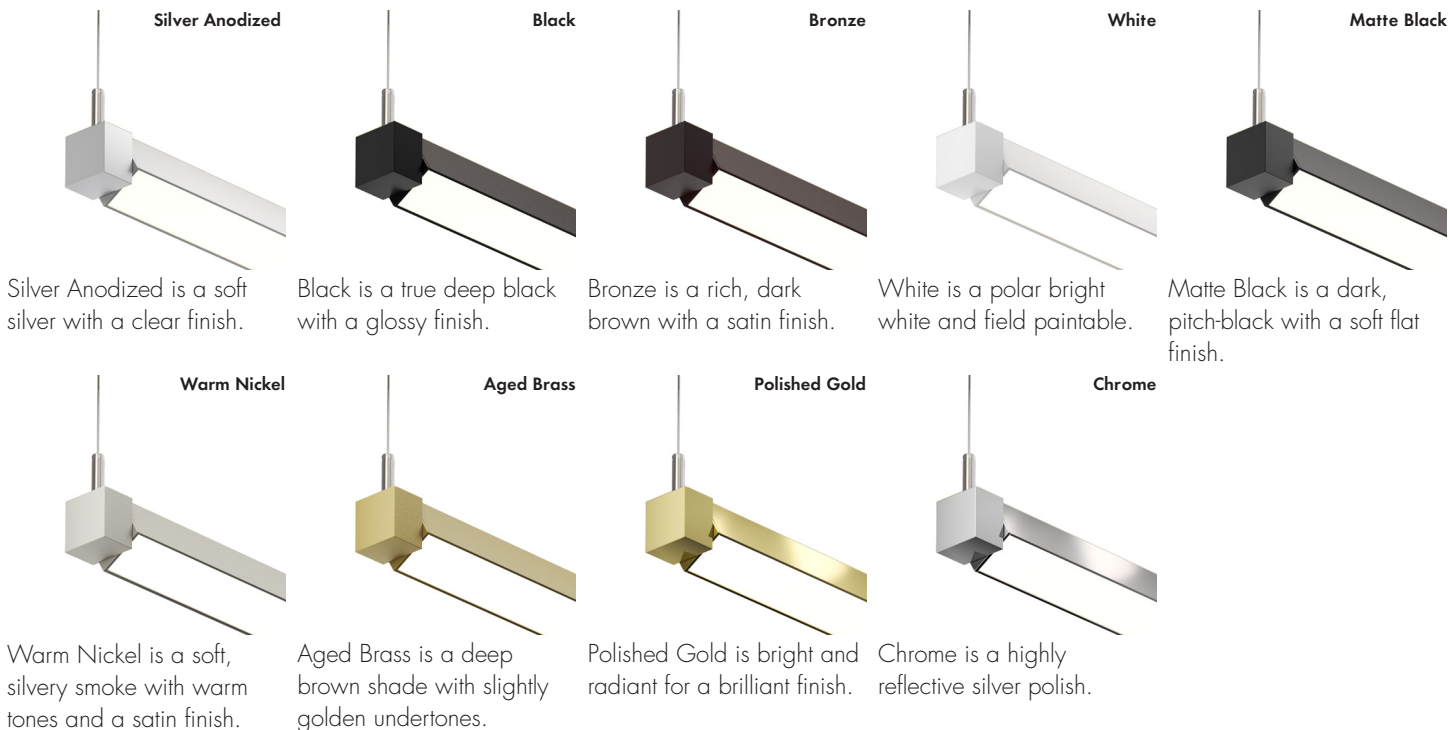
3 - Non SA finishes may have extended lead times. Custom RALs are available, please consult Inside Sales with specific request.
4 - Polished Gold finishes have a maximum fixture length of 48", and Chrome finishes have a maximum fixture length of 72".

Product Dimensions




Finish Options

- Finish options are available in a wide variety, allowing for complete customization of style and aesthetic.
- Non Silver Anodized finishes may have extended lead times.
- Polished Gold finishes have a maximum fixture length of 48", and Chrome finishes have a maximum fixture length of 72".
- Custom RALs are available, please consult Inside Sales with specific request.



Light Transmission and Dotting

Output Options	Lens/Accessory	
	Clear	Frosted
72SO	CD	ND
72HO	CD	ND
72VHO	CD	ND
HE48LO	CD	ND
HE48SO	CD	ND
HE48MO	CD	ND
HE48HO	CD	ND
HE64VHO	CD	ND
Transmission Percentage	114%	100%

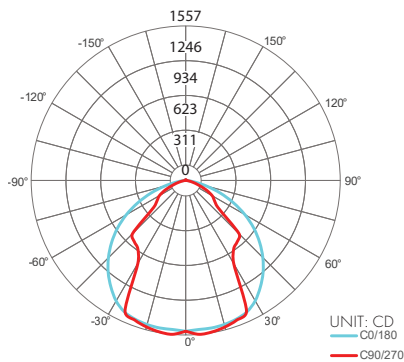


CD **SD** **ND**

CD - Clear Dotting
SD - Slight Dotting
ND - No Dotting

Photometry

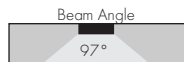
KiloSPOA-48-72VHO-30K-C
Kilo S POA, 4ft, 3000K, VHO, Clear Lens



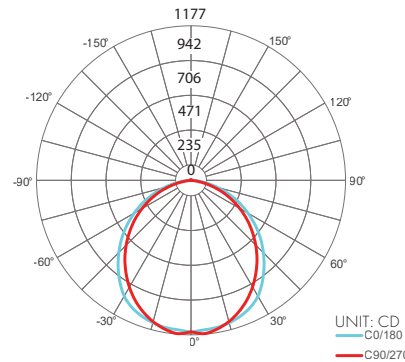
Zonal Lumen Summary 3000K

Zone	Lumen	% Fixture
0-30	1224	33.4%
0-40	1930	52.7%
0-60	3125	85.3%
0-90	3635	99.2%
0-180	3664	100%

Total



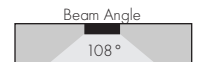
KiloS POA-48-72VHO-30K-F
Kilo S POA, 4ft, 3000K, VHO, Frosted Lens



Zonal Lumen Summary 3000K

Zone	Lumen	% Fixture
0-30	895	27.8%
0-40	1459	45.3%
0-60	2552	79.2%
0-90	3196	99.2%
0-180	3223	100%

Total



Power Consumption

Tested at Full Power with PDC Series power supplies.

Standard Nominal Lengths offered provide minimal shadowing. For alternate lengths, please consult Inside Sales with specific request.

High Color Quality (72)

Nominal Length (in)	Actual Length	Watts			Nominal Length (in)	Actual Length	Watts			Nominal Length (in)	Actual Length	Watts			Nominal Length (in)	Actual Length	Watts		
		SO	HO	VHO			SO	HO	VHO			SO	HO	VHO			SO	HO	VHO
12	11 4/16	4.8	8.1	11.0	47	46	20.4	32.5	41.9	82	81 14/16	34.5	53.3	68.2	117	116 10/16	47.2	69.9	88.1
13	12 7/16	5.3	9.0	12.1	48	47 3/16	21.1	33.6	43.1	83	-	-	-	-	118	117 13/16	47.5	70.4	88.6
14	13 9/16	5.8	9.8	13.1	49	48 5/16	21.5	34.2	43.8	84	83 1/16	34.8	53.9	69.4	119	118 15/16	47.8	70.8	89.1
15	14 12/16	6.5	10.9	14.5	50	49 8/16	22.0	34.9	44.6	85	84 3/16	35.4	54.6	71.4	120	-	-	-	-
16	15 14/16	6.9	11.6	15.5	51	50 10/16	22.5	35.9	45.9	86	85 6/16	35.7	55.1	72.2	121	120 2/16	48.3	71.5	89.8
17	-	-	-	-	52	51 13/16	22.9	36.5	46.7	87	86 8/16	36.1	55.6	72.7	122	121 4/16	48.6	71.9	90.2
18	17 1/16	7.3	12.3	16.5	53	52 15/16	23.3	37.1	47.5	88	87 11/16	36.7	56.4	73.3	123	122 7/16	48.8	72.4	90.6
19	18 3/16	8.0	13.4	17.9	54	-	-	-	-	89	88 14/16	37.1	56.9	73.7	124	123 9/16	49.0	72.9	91.0
20	19 6/16	8.4	14.2	18.9	55	54 2/16	23.9	38.1	48.8	90	-	-	-	-	125	124 12/16	49.4	73.6	91.7
21	20 8/16	8.9	14.9	19.8	56	55 4/16	24.3	38.7	49.6	91	90	37.5	57.3	74.2	126	125 14/16	49.6	74.0	92.1
22	21 11/16	9.6	16.0	21.2	57	56 7/16	24.8	39.3	50.4	92	91 3/16	38.1	58.1	74.9	127	-	-	-	-
23	22 13/16	10.0	16.7	22.1	58	57 9/16	25.2	39.9	51.2	93	92 5/16	38.5	58.7	75.6	128	127 1/16	49.8	74.5	92.5
24	-	-	-	-	59	58 12/16	25.9	40.8	52.4	94	93 8/16	38.9	59.4	76.3	129	128 3/16	50.2	74.9	93.3
25	24	10.5	17.4	23.1	60	59 14/16	26.3	41.4	53.2	95	94 10/16	39.6	60.3	77.3	130	129 6/16	50.5	75.2	93.8
26	25 3/16	11.1	18.6	24.4	61	-	-	-	-	96	95 13/16	40.0	60.9	78.0	131	130 9/16	50.8	75.5	94.3
27	26 5/16	11.6	19.3	25.3	62	61 1/16	26.7	42.0	54.0	97	96 15/16	40.4	61.5	78.7	132	131 11/16	51.2	75.9	95.1
28	27 8/16	12.1	20.1	26.1	63	62 3/16	27.3	42.9	55.0	98	-	-	-	-	133	132 14/16	51.5	76.2	95.6
29	28 10/16	12.8	21.3	27.4	64	63 6/16	27.7	43.4	55.7	99	98 2/16	40.9	62.1	79.1	134	-	-	-	-
30	29 13/16	13.3	22.0	28.3	65	64 8/16	28.1	43.9	56.4	100	99 4/16	41.2	62.5	79.3	135	134	51.7	76.5	-
31	30 15/16	13.8	22.8	29.1	66	65 11/16	28.7	44.7	57.4	101	100 7/16	41.6	62.8	79.5	136	135 3/16	52.0	77.0	-
32	-	-	-	-	67	66 14/16	29.1	45.3	58.1	102	101 9/16	41.9	63.2	79.8	137	136 5/16	52.1	77.3	-
33	32 2/16	14.5	23.8	30.5	68	-	-	-	-	103	102 12/16	42.4	63.8	80.1	138	137 8/16	52.3	77.6	-
34	33 4/16	14.9	24.4	31.4	69	68	29.5	45.7	58.7	104	103 14/16	42.8	64.3	80.7	139	138 10/16	52.6	78.0	-
35	34 7/16	15.3	25.0	32.4	70	69 3/16	30.0	46.3	59.7	105	-	-	-	-	140	139 13/16	53.1	78.4	-
36	35 9/16	15.8	25.7	33.3	71	70 5/16	30.3	46.8	60.3	106	105 1/16	43.2	64.8	81.3	141	140 15/16	53.5	78.9	-
37	36 12/16	16.4	26.6	34.7	72	71 8/16	30.7	47.2	61.0	107	106 3/16	43.8	65.5	82.2	142	-	-	-	-
38	37 14/16	16.8	27.3	35.5	73	72 10/16	31.2	47.8	61.9	108	107 6/16	44.2	66.0	82.8	143	142 2/16	54.2	79.5	-
39	-	-	-	-	74	73 13/16	31.6	48.5	62.3	109	108 8/16	44.6	66.5	83.4	144	143 4/16	54.7	80.0	-
40	39 1/16	17.3	27.9	36.3	75	74 15/16	32.0	49.1	62.7	110	109 11/16	45.1	67.1	84.3					
41	40 3/16	17.9	28.9	37.6	76	-	-	-	-	111	110 14/16	45.4	67.5	84.9					
42	41 6/16	18.3	29.5	38.4	77	76 2/16	32.5	50.1	63.3	112	-	-	-	-					
43	42 8/16	18.7	30.1	39.2	78	77 4/16	32.9	50.8	63.7	113	112	45.7	67.9	85.5					
44	43 11/16	19.4	31.1	40.4	79	78 7/16	33.3	51.4	64.1	114	113 3/16	46.1	68.4	86.3					
45	44 14/16	19.9	31.8	41.1	80	79 9/16	33.6	52.0	64.9	115	114 5/16	46.4	68.8	86.9					
46	-	-	-	-	81	80 12/16	34.2	52.8	66.9	116	115 8/16	46.7	69.2	87.4					

Power Consumption

Tested at Full Power with PDC Series power supplies.

Standard Nominal Lengths offered provide minimal shadowing. For alternate lengths, please consult Inside Sales with specific request.

High Efficacy (HE48)

Nominal Length (in)	Actual Length	Watts				Nominal Length (in)	Actual Length	Watts				Nominal Length (in)	Actual Length	Watts				Nominal Length (in)	Actual Length	Watts			
		LO	SO	MO	HO			LO	SO	MO	HO			LO	SO	MO	HO			LO	SO	MO	HO
12	11 13/16	3.4	4.9	6.4	13.2	47	-	-	-	-	82	-	-	-	-	117	116 3/16	34.0	53.8	66.3	90.4		
13	-	-	-	-	-	48	47 4/16	14.3	22.6	27.5	47.9	83	82 11/16	22.6	38.4	47.6	78.5	118	-	-	-	-	
14	13 13/16	4.1	5.9	7.5	15.8	49	-	-	-	-	84	-	-	-	-	119	118 2/16	34.7	54.7	67.4	90.9		
15	-	-	-	-	-	50	49 4/16	14.7	23.3	28.5	49.4	85	84 11/16	22.8	39.3	48.8	79.4	120	-	-	-	-	
16	15 12/16	4.8	6.9	8.7	17.9	51	-	-	-	-	86	-	-	-	-	121	120 2/16	35.4	55.6	68.5	91.3		
17	-	-	-	-	-	52	51 3/16	15.3	24.1	29.6	51.3	87	86 10/16	23.1	40.1	49.9	80.3	122	-	-	-	-	
18	17 12/16	5.4	7.7	9.6	19.5	53	-	-	-	-	88	-	-	-	-	123	122 1/16	36.1	56.6	69.4	91.8		
19	-	-	-	-	-	54	53 3/16	15.8	25.0	30.7	53.2	89	88 10/16	23.3	41.0	51.0	81.2	124	-	-	-	-	
20	19 11/16	6.0	8.7	10.8	21.5	55	-	-	-	-	90	-	-	-	-	125	124 1/16	36.7	57.7	70.2	92.3		
21	-	-	-	-	-	56	55 2/16	16.4	25.9	31.9	55.2	91	90 9/16	23.5	41.9	52.1	82.0	126	-	-	-	-	
22	21 11/16	6.4	9.7	12.0	23.1	57	-	-	-	-	92	-	-	-	-	127	126	37.4	58.9	71.0	92.9		
23	-	-	-	-	-	58	57 2/16	17.0	26.8	33.1	57.0	93	92 9/16	24.0	42.9	53.4	82.7	128	128	38.0	59.7	71.8	93.2
24	23 10/16	6.9	10.7	13.3	24.7	59	-	-	-	-	94	-	-	-	-	129	-	-	-	-	-		
25	-	-	-	-	-	60	59 1/16	17.5	27.7	34.3	58.7	95	94 8/16	24.6	43.8	54.7	83.3	130	129 15/16	38.6	60.4	72.5	93.3
26	25 10/16	7.4	11.7	14.5	26.3	61	-	-	-	-	96	-	-	-	-	131	-	-	-	-	-		
27	-	-	-	-	-	62	61 1/16	18.1	28.6	35.5	60.5	97	96 8/16	25.2	44.8	56.0	84.0	132	131 15/16	39.2	61.0	73.2	93.4
28	27 9/16	8.0	12.9	15.7	28.5	63	-	-	-	-	98	-	-	-	-	133	-	-	-	-	-		
29	-	-	-	-	-	64	63	18.4	29.5	36.6	63.8	99	98 7/16	26.1	45.8	57.0	84.6	134	133 14/16	39.8	61.8	73.8	93.6
30	29 9/16	8.7	14.0	17.0	30.6	65	65	18.8	30.4	37.7	67.0	100	-	-	-	-	135	-	-	-	-		
31	-	-	-	-	-	66	-	-	-	-	101	100 7/16	27.1	46.7	58.0	85.2	136	135 14/16	40.5	62.9	74.5	94.0	
32	31 8/16	9.4	15.2	18.2	32.6	67	66 15/16	19.1	31.2	38.9	70.2	102	-	-	-	-	137	-	-	-	-		
33	-	-	-	-	-	68	-	-	-	-	103	102 6/16	28.1	47.7	58.9	85.9	138	137 13/16	41.1	63.9	75.1	94.4	
34	33 8/16	10.0	16.1	19.2	34.7	69	68 15/16	19.5	32.3	40.0	71.2	104	-	-	-	-	139	-	-	-	-		
35	-	-	-	-	-	70	-	-	-	-	105	104 6/16	28.8	48.6	60.0	86.5	140	139 13/16	41.7	64.7	75.7	94.3	
36	35 7/16	10.7	17.0	20.3	36.7	71	70 14/16	20.0	33.3	41.1	72.3	106	-	-	-	-	141	-	-	-	-		
37	-	-	-	-	-	72	-	-	-	-	107	106 5/16	29.4	49.6	61.1	87.1	142	141 12/16	42.2	65.1	76.2	93.9	
38	37 7/16	11.3	17.9	21.4	38.7	73	72 14/16	20.4	34.4	42.3	73.4	108	-	-	-	-	143	-	-	-	-		
39	-	-	-	-	-	74	-	-	-	-	109	108 5/16	30.0	50.6	62.2	87.7	144	143 12/16	42.8	65.7	76.8	93.4	
40	39 6/16	11.9	18.9	22.7	40.5	75	74 13/16	21.0	35.2	43.4	74.6	110	-	-	-	-	-	-	-	-	-		
41	-	-	-	-	-	76	-	-	-	-	111	110 4/16	31.0	51.4	63.3	88.4	-	-	-	-	-		
42	41 6/16	12.5	19.9	23.9	42.2	77	76 13/16	21.5	36.0	44.5	75.7	112	-	-	-	-	-	-	-	-	-		
43	-	-	-	-	-	78	-	-	-	-	113	112 4/16	31.9	52.0	64.1	89.0	-	-	-	-	-		
44	43 5/16	13.1	20.8	25.1	44.1	79	78 12/16	22.1	36.8	45.7	76.9	114	-	-	-	-	-	-	-	-	-		
45	-	-	-	-	-	80	-	-	-	-	115	114 3/16	33.0	52.9	65.2	89.8	-	-	-	-	-		
46	45 5/16	13.7	21.7	26.3	46.0	81	80 12/16	22.3	37.5	46.5	77.6	116	-	-	-	-	-	-	-	-	-		

Power Consumption

Tested at Full Power with PDC Series power supplies.

Standard Nominal Lengths offered provide minimal shadowing. For alternate lengths, please consult Inside Sales with specific request.

High Efficacy (HE64)

Nominal Length (in)	Actual Length	Watts	Nominal Length (in)	Actual Length	Watts	Nominal Length (in)	Actual Length	Watts	Nominal Length (in)	Actual Length	Watts
		VHO			VHO			VHO			VHO
12	11 1/16	12.6	47	—	—	82	—	—	117	—	—
13	12 10/16	14.5	48	47 7/16	58.2	83	82 4/16	91.5	118	117 1/16	—
14	—	—	49	48 15/16	60.1	84	83 12/16	92.1	119	118 10/16	—
15	14 2/16	16.4	50	—	—	85	—	—	120	—	—
16	15 10/16	18.2	51	50 7/16	62.0	86	85 5/16	92.7	121	120 2/16	—
17	—	—	52	52	63.8	87	86 13/16	93.3	122	121 10/16	—
18	17 2/16	20.1	53	—	—	88	—	—	123	—	—
19	18 11/16	22.0	54	53 8/16	65.6	89	88 5/16	94.0	124	123 2/16	—
20	—	—	55	55	67.4	90	89 13/16	94.6	125	124 10/16	—
21	20 3/16	23.9	56	—	—	91	—	—	126	—	—
22	21 11/16	25.7	57	56 8/16	69.6	92	91 5/16	95.2	127	126 3/16	—
23	—	—	58	—	—	93	92 14/16	95.8	128	127 11/16	—
24	23 3/16	27.6	59	58	71.2	94	—	—	129	—	—
25	24 11/16	29.5	60	59 9/16	72.8	95	94 6/16	—	130	129 3/16	—
26	—	—	61	—	—	96	95 14/16	—	131	130 11/16	—
27	26 4/16	31.4	62	61 1/16	74.4	97	—	—	132	—	—
28	27 12/16	33.3	63	62 9/16	75.6	98	97 6/16	—	133	132 4/16	—
29	—	—	64	—	—	99	98 15/16	—	134	133 12/16	—
30	29 4/16	35.2	65	64 1/16	76.8	100	—	—	135	—	—
31	30 12/16	37.2	66	65 10/16	78.0	101	100 7/16	—	136	135 4/16	—
32	—	—	67	—	—	102	101 15/16	—	137	136 12/16	—
33	32 5/16	39.1	68	67 2/16	79.2	103	—	—	138	—	—
34	33 13/16	41.0	69	68 10/16	80.3	104	103 7/16	—	139	138 4/16	—
35	—	—	70	—	—	105	104 15/16	—	140	139 13/16	—
36	35 5/16	42.9	71	70 2/16	81.3	106	—	—	141	—	—
37	36 13/16	44.9	72	71 10/16	82.4	107	106 8/16	—	142	141 5/16	—
38	—	—	73	—	—	108	108	—	143	142 13/16	—
39	38 5/16	46.7	74	73 3/16	83.4	109	—	—	144	—	—
40	39 14/16	48.6	75	74 11/16	85.1	110	109 8/16	—			
41	—	—	76	—	—	111	—	—			
42	41 6/16	50.4	77	76 3/16	86.8	112	111	—			
43	42 14/16	52.3	78	77 11/16	88.5	113	112 9/16	—			
44	—	—	79	—	—	114	—	—			
45	44 6/16	54.2	80	79 4/16	90.2	115	114 1/16	—			
46	45 15/16	56.2	81	80 12/16	90.8	116	115 9/16	—			

Voltage Drop Calculator

The below chart assumes nominal voltage of 24 Volts and a Voltage Drop Allowance of 3% through the wire

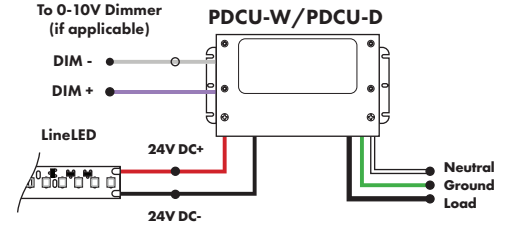
Wattage [W]	Wire Length From Power Supply to Start of Run [ft]						
	12 AWG	14 AWG	16 AWG	18 AWG	20 AWG	22 AWG	24 AWG
5	1088.2	684.4	430.3	270.6	170.2	107.1	67.3
10	544.1	342.2	215.1	135.3	85.1	53.5	33.7
15	362.7	228.1	143.4	90.2	56.7	35.7	22.4
20	272.0	171.1	107.6	67.7	42.6	26.8	16.8
25	217.6	136.9	86.1	54.1	34.0	21.4	13.5
30	181.4	114.1	71.7	45.1	28.4	17.8	11.2
35	155.5	97.8	61.5	38.7	24.3	15.3	9.6
40	136.0	85.5	53.8	33.8	21.3	13.4	8.4
45	120.9	76.0	47.8	30.1	18.9	11.9	7.5
50	108.8	68.4	43.0	27.1	17.0	10.7	6.7
55	98.9	62.2	39.1	24.6	15.5	9.7	6.1
60	90.7	57.0	35.9	22.6	14.2	8.9	5.6
65	83.7	52.6	33.1	20.8	13.1	8.2	5.2
70	77.7	48.9	30.7	19.3	12.2	7.6	4.8
75	72.5	45.6	28.7	18.0	11.3	7.1	4.5
80	68.0	42.8	26.9	16.9	10.6	6.7	4.2
85	64.0	40.3	25.3	15.9	10.0	6.3	4.0
90	60.5	38.0	23.9	15.0	9.5	5.9	3.7
96	56.7	35.6	22.4	14.1	8.9	5.6	3.5

Power Supplies

See Power Supply instructions and spec sheet for wiring information. For a complete list of compatible dimmers, see Compatible Dimming Chart on the Resources page.

Universal Power Supply 1% 120VAC - 277VAC

MODEL	POWER	OUTPUT
PDCU-D - IP20 Dry Series	30 - 30 W 60 - 60 W 96 - 96 W 3X96 - 3X96 W	24 - 24 VDC
PDCU-W - IP66 Wet Series	96 - 96 W 3X96 - 3X96 W	

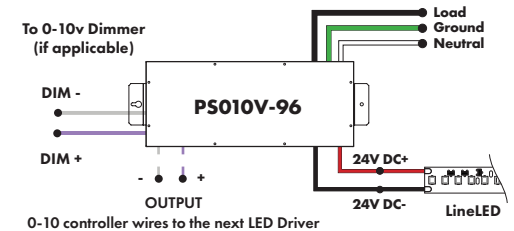


0-10V dims down to 1%, MLV/ELV/TRIAC dims down to 1%.
For a complete list of compatible dimmers, see [Compatible Dimming Chart](#) on the Resources page.

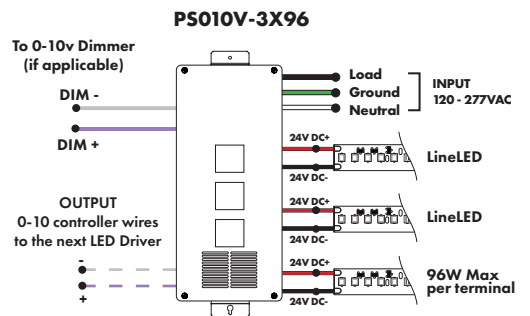
MODELS	PDCU-W 96W	PDCU-W 3X96W	PDCU-D 30W	PDCU-D 60W	PDCU-D 96W	PDCU-D 3X96W
Length	8.66"	11.85"	6.10"	7.93"	8.25"	9.57"
Width	3.73"	4.32"	3.35"	3.35"	4.10"	5.94"
Depth	1.61"	1.81"	1.33"	1.32"	1.56"	1.13"

0-10V Dimming Power Supplies 0.1% 120VAC - 277VAC

MODEL	POWER	OUTPUT	DIMMING
PS010V - 0-10V Power Supply dims down to 0.1%	96 - 96 Watt 3X96 - 3 X 96 Watt	24 - 24 VDC	LIN - Linear LOG - Logarithmic



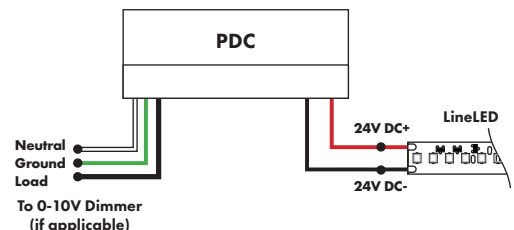
MODELS	96W	3X96
Length	14.40"	15.75"
Width	5.20"	6.62"
Depth	2.60"	4.95"



Triac, MLV, & ELV Compatible Dimmers

MODEL	POWER	OUTPUT
PDC - (IP20) Power Supply	96 - 96 Watts	24 - 24 VDC

MODELS	96W
Length	8.25"
Width	4.10"
Depth	1.56"



Power Supplies

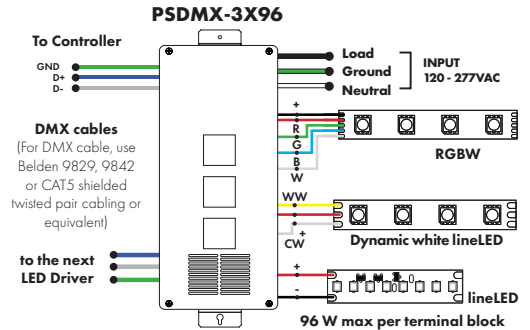
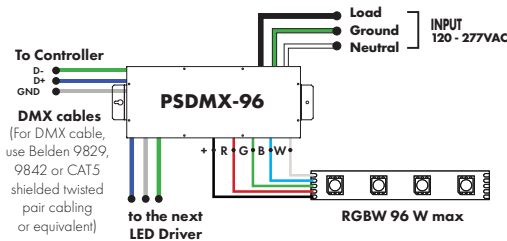
See Power Supply instructions and spec sheet for wiring information. For a complete list of compatible dimmers, see Compatible Dimming Chart on the Resources page.

DMX Dimming Power Supplies 120VAC - 277VAC

MODEL	POWER	OUTPUT
PSDMX - DMX Power Supply dims down to 0%	96 - 96 Watt 3X96 - 3 X 96 Watt	24 - 24 VDC

Features eldoLED's LINEARdrive configurable dimmable drivers

MODELS	96W	3X96
Length	14.40"	15.75"
Width	5.20"	6.62"
Depth	2.60"	4.95"

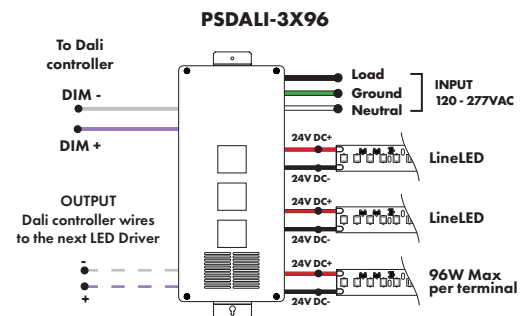
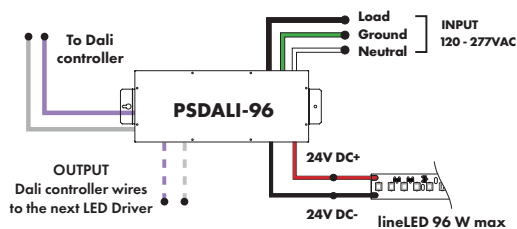


DALI 0% Dimming Power Supplies 120VAC - 277VAC

MODEL	POWER	OUTPUT
PSDALI - DALI Power Supply dims down to 0%	96 - 96 Watt 3X96 - 3 X 96 Watt	24 - 24 VDC

Features eldoLED's LINEARdrive configurable dimmable drivers

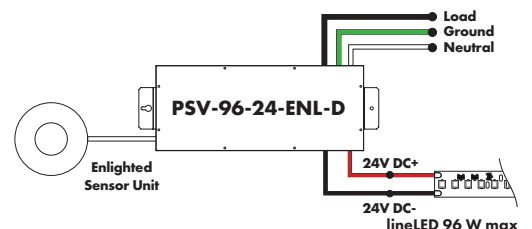
Model	96W	3X96
Length	14.40"	15.75"
Width	5.20"	6.62"
Depth	2.60"	4.95"



Enlighted Enabled Dimming Power Supplies 120VAC - 277VAC

MODEL	POWER	OUTPUT	DIMMING	LOCATION
PSV - PSV Series	96 - 96 Watt	24 - 24 VDC	ENL - Enlighted Dimming dims down to 0%	D - Damp

Model	96W
Length	14.40"
Width	5.20"
Depth	2.60"



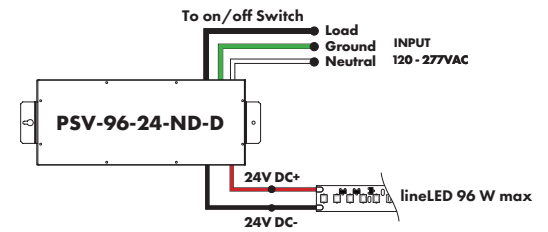
Power Supplies

See Power Supply instructions and spec sheet for wiring information. For a complete list of compatible dimmers, see Compatible Dimming Chart on the Resources page.

Non-Dimming Power Supply 120VAC - 277VAC

MODEL	POWER	OUTPUT	DIMMING	LOCATION
PSV - PSV Series	96 - 96 Watt	24 - 24 VDC	ND - Non Dimming	D - Damp

MODELS	96W
Length	14.40"
Width	5.20"
Depth	2.60"



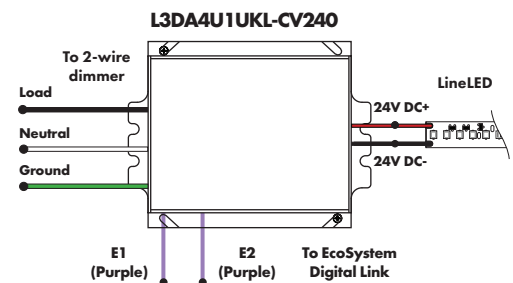
Luminii is a Lutron OEM Advantage Partner

Lutron Power Supplies 1%

MODEL
L3DA4U1UKL-CV240

HiLume™ 1% EcoSystem Voltage LED driver
40W max

MODELS	L3DA4U1UKL-CV240
Length	4.98"
Width	4.00"
Depth	2.62"



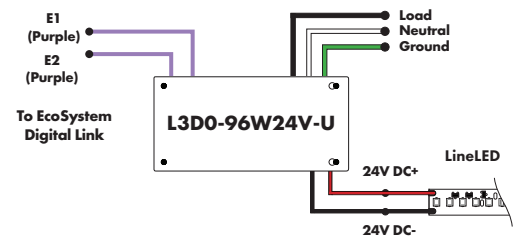
Luminii is a Lutron OEM Advantage Partner

Lutron Power Supplies 0.1%

MODEL
L3D0-96W24V-U

HiLume™ 0.1% EcoSystem Voltage LED Driver with Soft-On, Fade-to-Black™
96W max

MODELS	L3D0
Length	10.50"
Width	5.50"
Depth	2.00"



In-Ground Power Supplies

MODEL	POWER	OUTPUT	INPUT
IG - In ground CVE Series CVE - ELV Dimming DALI - eldoLED Dali dimming Both dims down to 0%	96X2 - 2 X 96 Watt	24 - 24 VDC	Blank - 120 V 277 - 240/277 V

MODELS	Dual Circuit
Length	8.40"
Width	8.30"
Depth	8.10"

