

Kilo - Installation Instructions

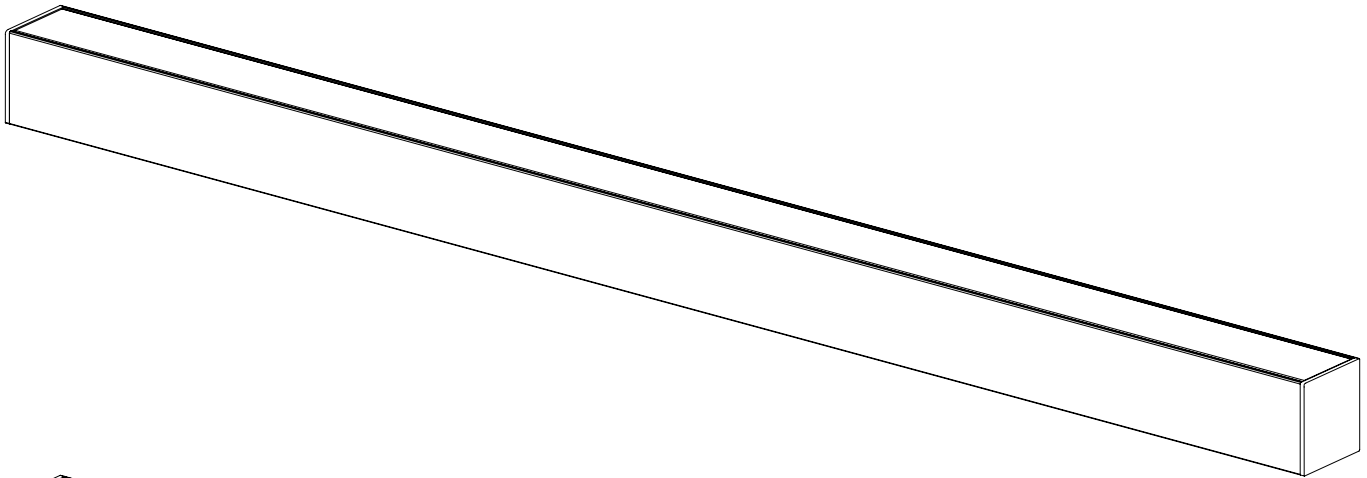
**Please read complete instruction prior to installation
and keep for future reference!**



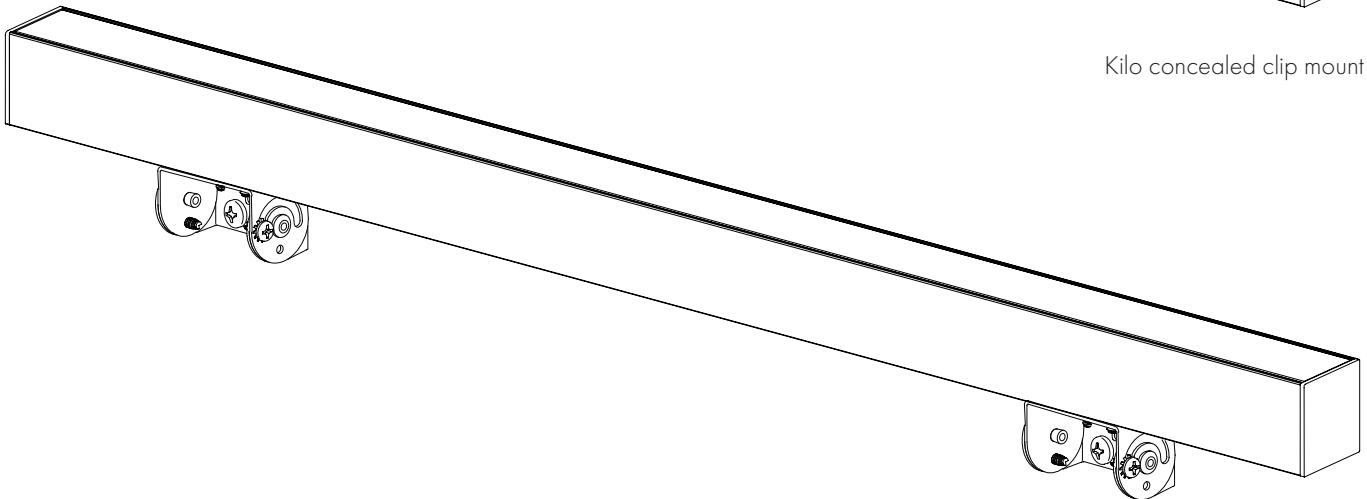
Page 1 of 6



7777 N. Merrimac Ave
Niles, IL 60714
T 224.333.6033
F 224.757.7557
info@luminii.com
www.luminii.com



Kilo concealed clip mount



Kilo adjustable hinge mount

Instruction page index:

Concealed bracket installation	2
Adjustable bracket installation	3
Connect to Power	4
Power feed layout guide	5

Kilo - Installation Instructions

Please read complete instruction prior to installation and keep for future reference!

- | | |
|--|--|
| 1. PRODUCT TO BE INSTALLED BY A QUALIFIED ELECTRICIAN. | 5. SURFACE MOUNT ONLY. |
| 2. USE ONLY WITH CLASS 2 POWER UNIT. | 6. SUITABLE FOR INSTALLATION WITHIN THE CLOSET STORAGE SPACE |
| 3. 24 VOLTS DC. | 7. TYPE IC |
| 4. SUITABLE FOR WET LOCATIONS. | 8. INHERENTLY PROTECTED |

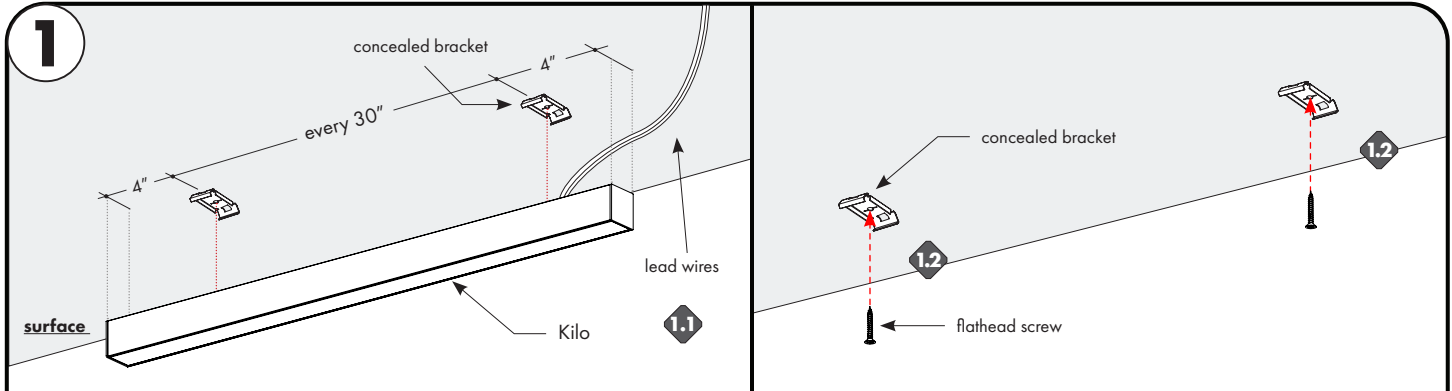


Page 2 of 6



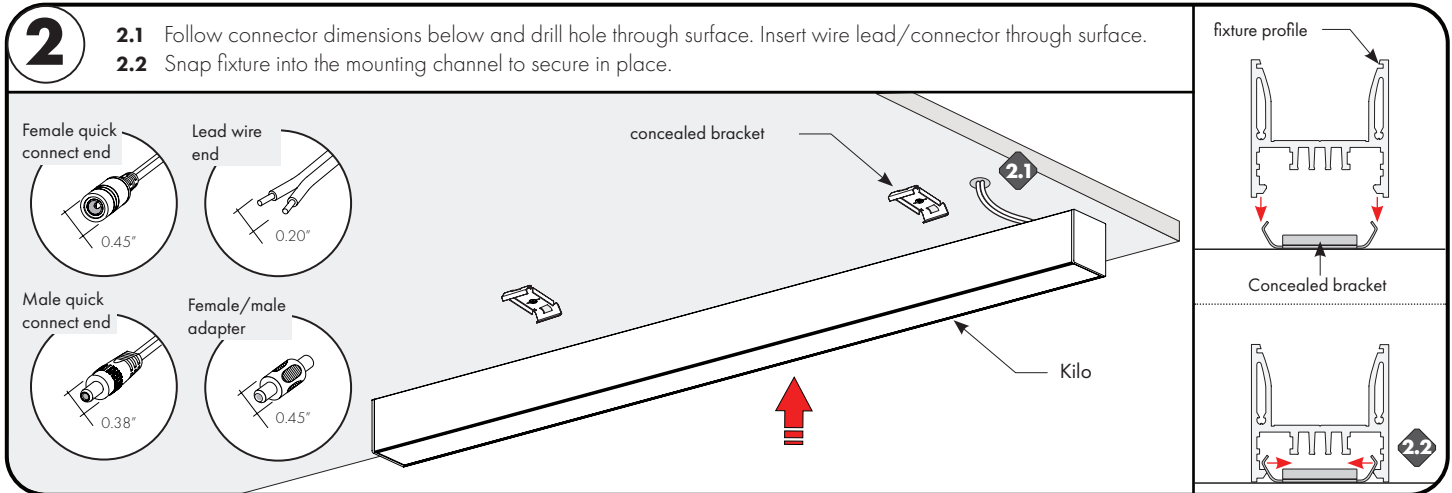
7777 N. Merrimac Ave
Niles, IL 60714
T 224.333.6033
F 224.757.7557
info@luminii.com
www.luminii.com

Concealed bracket installation

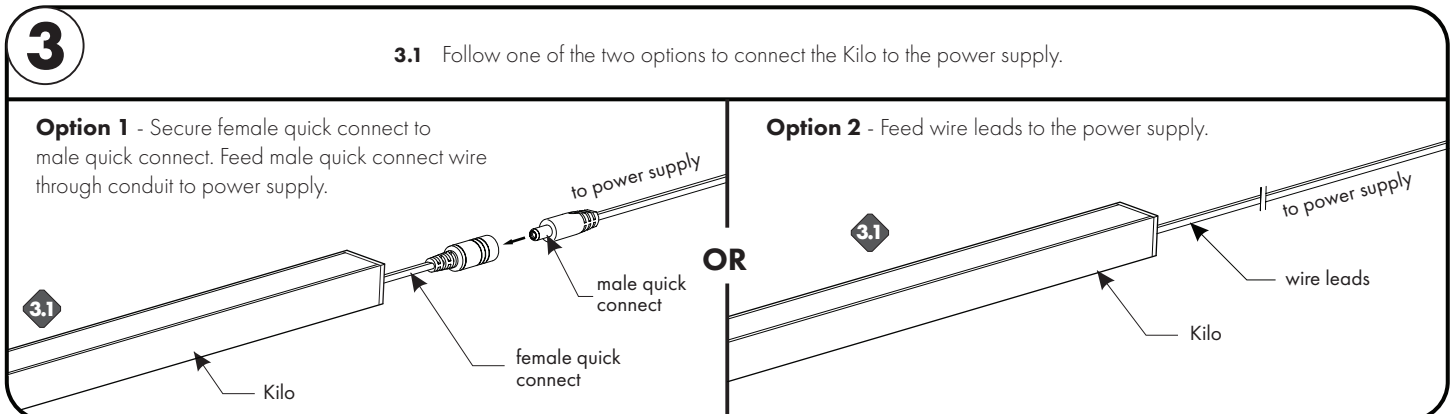


1.1 Determine the location of where the fixture(s) will be installed. Lay the fixture(s) on the surface, and make any necessary reference marks for the concealed bracket. Make marks 4" from each end of the fixture(s) and also every 30" in between.

1.2 Lay the concealed bracket onto the reference mark points and secure using the provided hardware.



- 2.1** Follow connector dimensions below and drill hole through surface. Insert wire lead/connector through surface.
2.2 Snap fixture into the mounting channel to secure in place.



Option 1 - Secure female quick connect to male quick connect. Feed male quick connect wire through conduit to power supply.

Option 2 - Feed wire leads to the power supply.

Kilo - Installation Instructions

Please read complete instruction prior to installation and keep for future reference!

- | | |
|--|--|
| 1. PRODUCT TO BE INSTALLED BY A QUALIFIED ELECTRICIAN. | 5. SURFACE MOUNT ONLY. |
| 2. USE ONLY WITH CLASS 2 POWER UNIT. | 6. SUITABLE FOR INSTALLATION WITHIN THE CLOSET STORAGE SPACE |
| 3. 24 VOLTS DC. | 7. TYPE IC |
| 4. SUITABLE FOR WET LOCATIONS. | 8. INHERENTLY PROTECTED |



Page 3 of 6

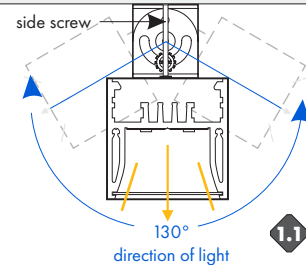


7777 N. Merrimac Ave
Niles, IL 60714
T 224.333.6033
F 224.757.7557
info@luminii.com
www.luminii.com

Adjustable bracket installation

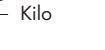
1

- 1.1 Determine the location of the install. Then loosen the side screws on the adjustable bracket to rotate. Then mark the bracket holes to the surface.



2

pre-installed adjustable mounting clip



screw

- 2.1 Secure the fixture to the surface using the provided mounting screws.
2.2 Rotate the fixture to the desired angle then tighten the side screws to secure.

3

Female quick connect end

0.45"

Lead wire end

0.20"

Male quick connect end

0.38"

Female/male adapter

0.45"

3.1

3.2

protective film

- 3.1 Follow connector dimensions below and drill hole through surface. Insert wire lead/connector through surface & snap fixture into the mounting channel to secure in place.
3.2 After the installation is complete remove the protective film from the front of the lens.

Kilo - Installation Instructions

Please read complete instruction prior to installation and keep for future reference!

1. PRODUCT TO BE INSTALLED BY A QUALIFIED ELECTRICIAN.
2. USE ONLY WITH CLASS 2 POWER UNIT.
3. 24 VOLTS DC.
4. SUITABLE FOR WET LOCATIONS.
5. SURFACE MOUNT ONLY.
6. SUITABLE FOR INSTALLATION WITHIN THE CLOSET STORAGE SPACE
7. TYPE IC
8. INHERENTLY PROTECTED

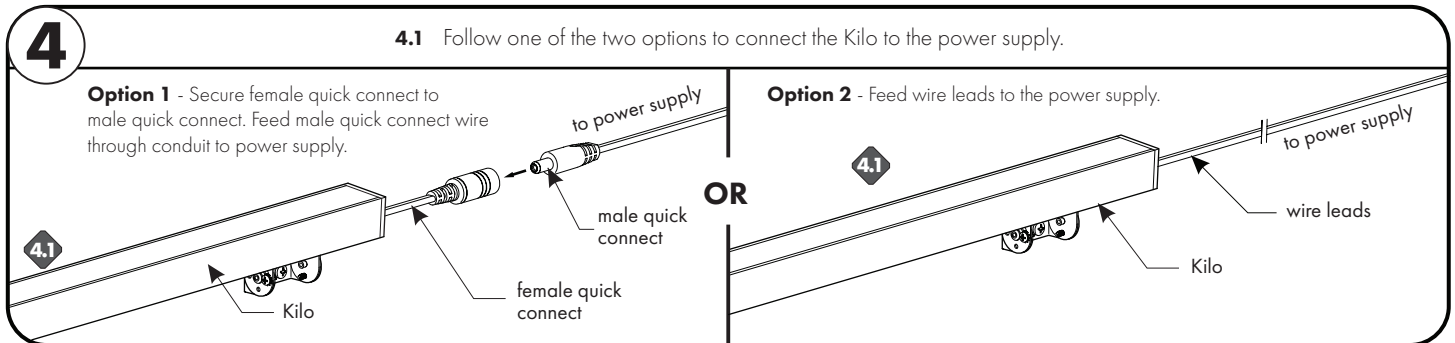


Page 4 of 6

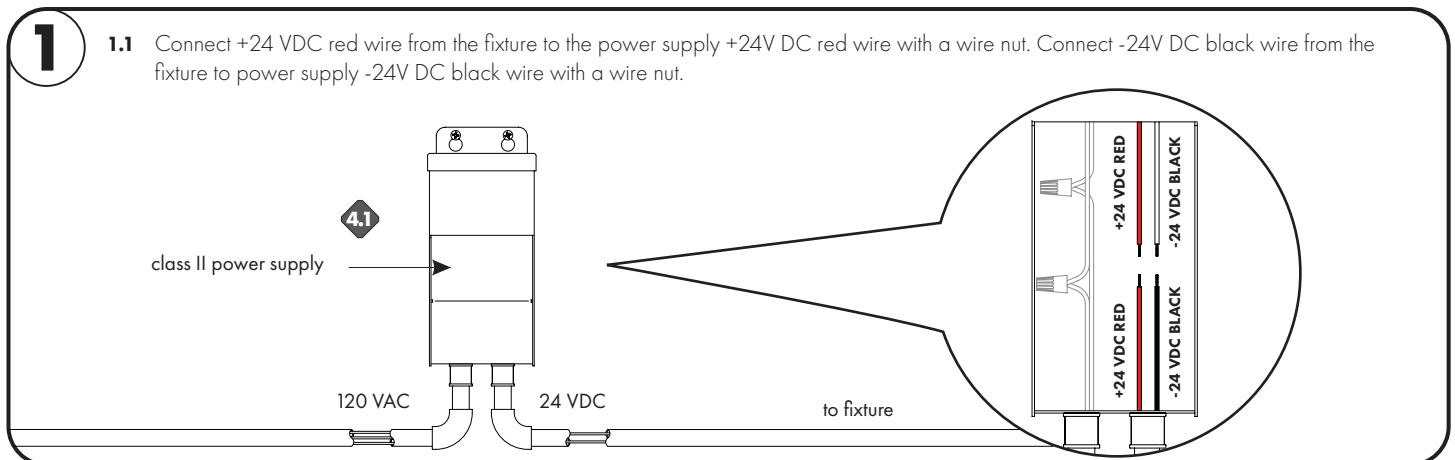


7777 N. Merrimac Ave
Niles, IL 60714
T 224.333.6033
F 224.757.7557
info@luminii.com
www.luminii.com

Adjustable hinge installation



Connect to power



Kilo - Installation Instructions

Please read complete instruction prior to installation and keep for future reference!

- | | |
|--|--|
| 1. PRODUCT TO BE INSTALLED BY A QUALIFIED ELECTRICIAN. | 5. SURFACE MOUNT ONLY. |
| 2. USE ONLY WITH CLASS 2 POWER UNIT. | 6. SUITABLE FOR INSTALLATION WITHIN THE CLOSET STORAGE SPACE |
| 3. 24 VOLTS DC. | 7. TYPE IC |
| 4. SUITABLE FOR WET LOCATIONS. | 8. INHERENTLY PROTECTED |

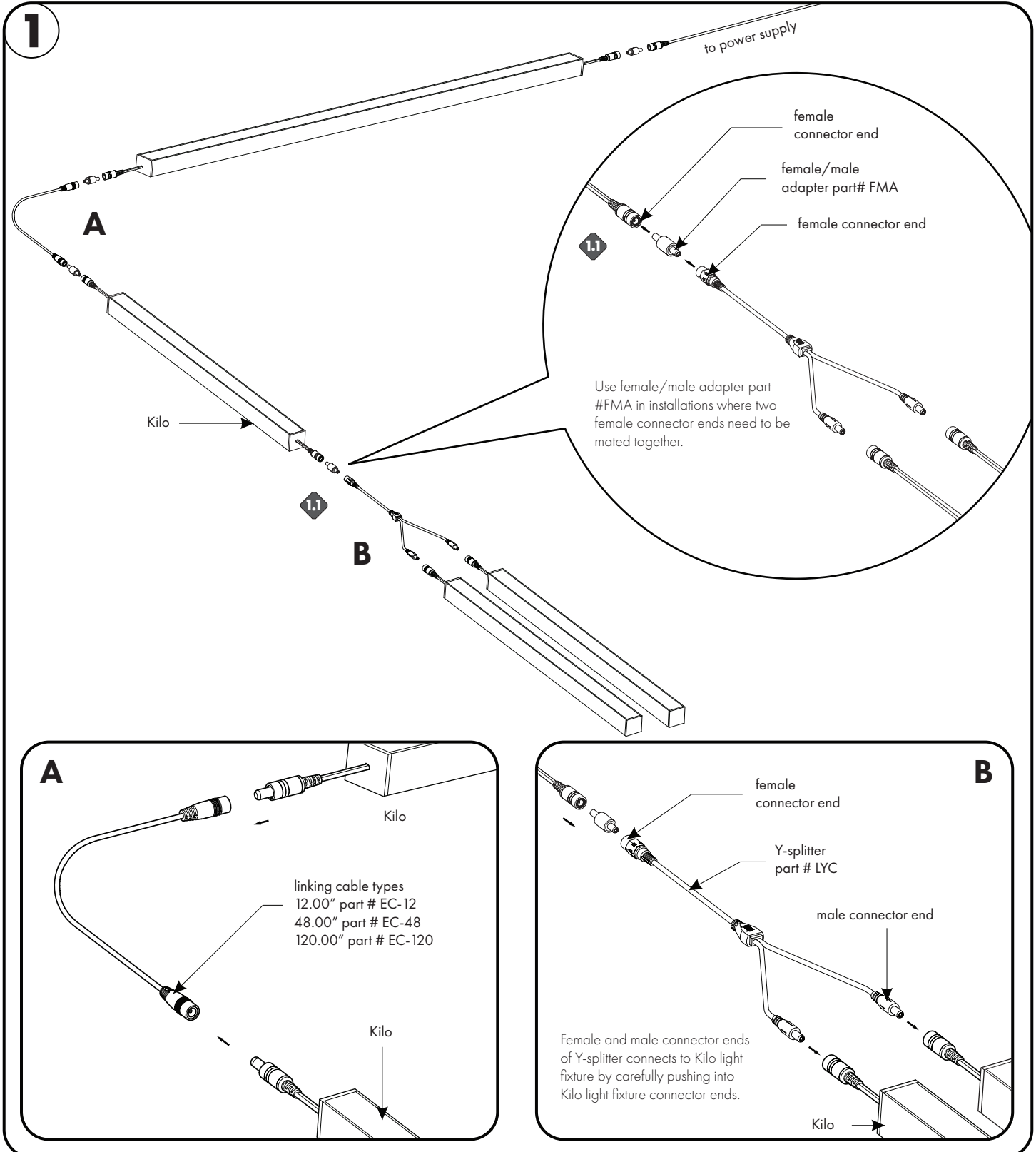


Page 5 of 6



7777 N. Merrimac Ave
Niles, IL 60714
T 224.333.6033
F 224.757.7557
info@luminii.com
www.luminii.com

Kilo sample layout



Kilo - Installation Instructions

Please read complete instruction prior to installation and keep for future reference!

1. PRODUCT TO BE INSTALLED BY A QUALIFIED ELECTRICIAN.
2. USE ONLY WITH CLASS 2 POWER UNIT.
3. 24 VOLTS DC.
4. SUITABLE FOR WET LOCATIONS.
5. SURFACE MOUNT ONLY.
6. SUITABLE FOR INSTALLATION WITHIN THE CLOSET STORAGE SPACE
7. TYPE IC
8. INHERENTLY PROTECTED



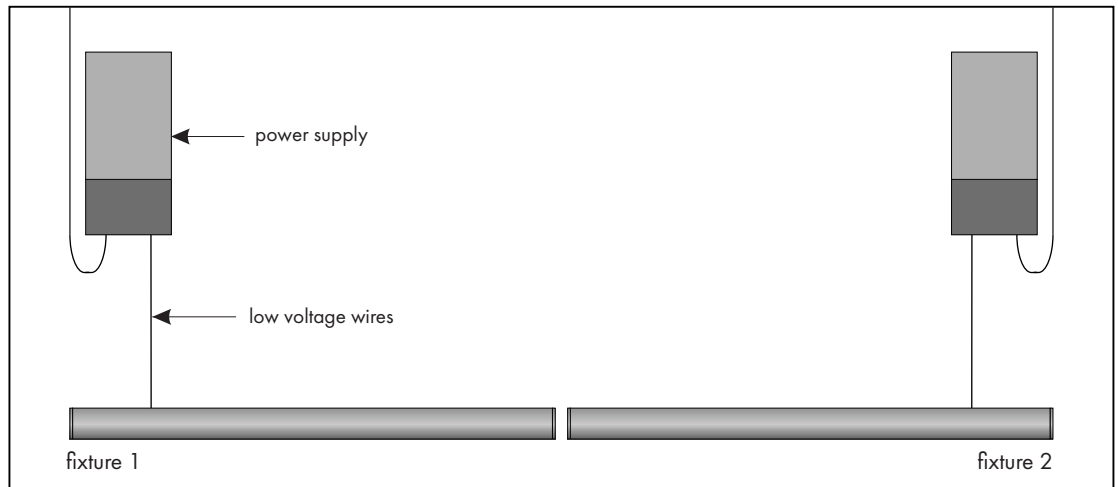
Page 6 of 6



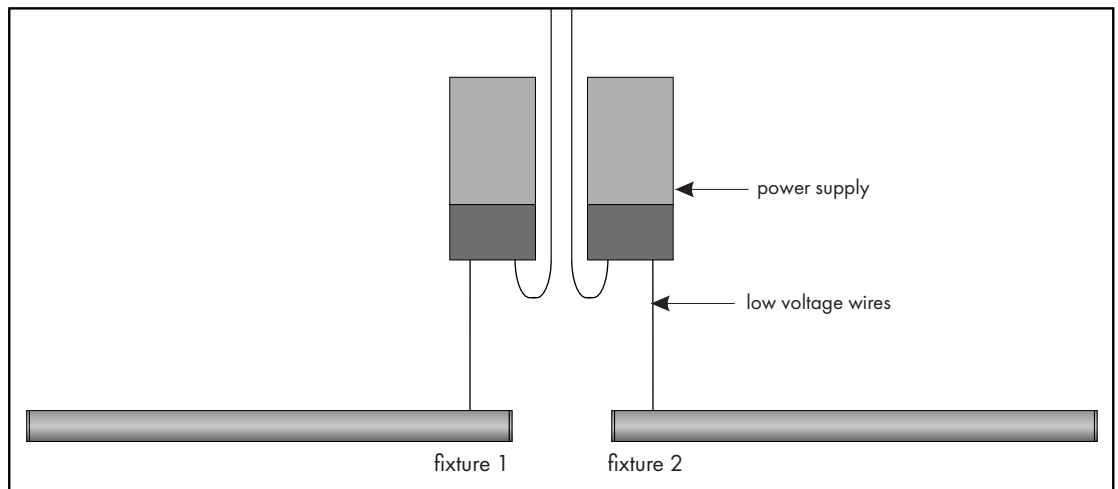
7777 N. Merrimac Ave
Niles, IL 60714
T 224.333.6033
F 224.757.7557
info@luminii.com
www.luminii.com

Multiple powerfeed layouts

power supplies at the end of the run



power supplies in the middle of the run



consecutive layout, NOT RECOMMENDED

